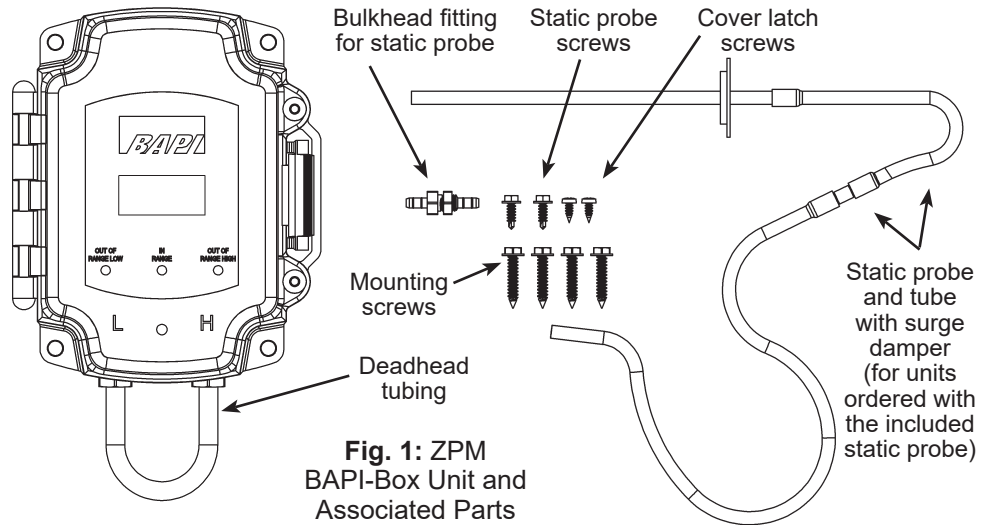


## Identification and Overview

BAPI's ZPM is designed for quick and easy field installation. The outputs, ranges, units, directionality, are all easily set in the field without powering the unit.

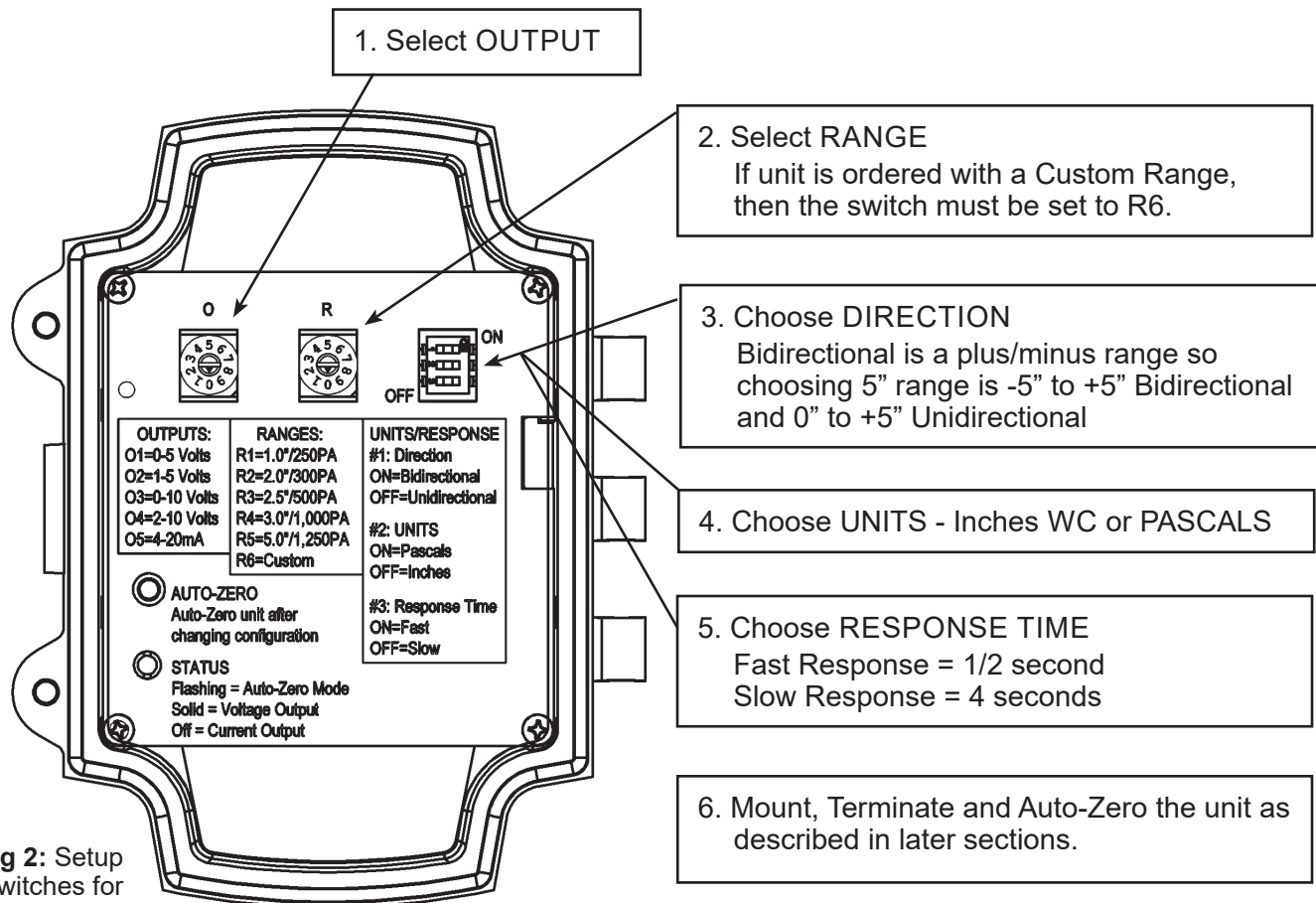
The optional LCD display helps with troubleshooting because it displays the actual pressure regardless of the selected pressure range. Three LEDs on the face of the unit indicate when the pressure is "Out of Range Low", "In Range" or "Out of Range High" for the selected range. The appropriate LED will flash when out of range.



**Fig. 1:** ZPM BAPI-Box Unit and Associated Parts

## Switch Setup - Outputs, Ranges, Units/Response

**NOTE!** Always follow the Auto-Zero procedure after changing settings.



**Fig 2:** Setup Switches for Standard Range Units



# Standard Range ZPM - Zone Pressure Sensor in a BAPI-Box Enclosure

Installation & Operations

47138\_ins\_ZPM\_SR\_BB

rev. 05/24/23

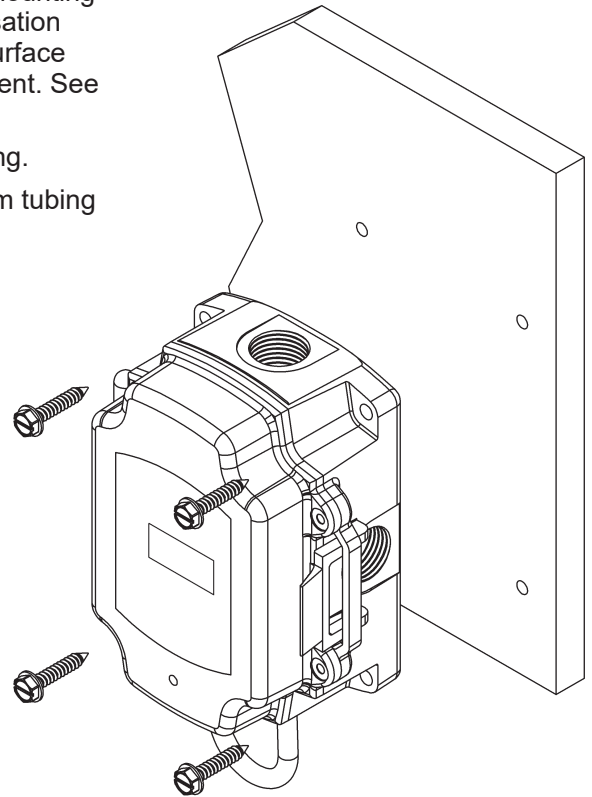
## Mounting

Attach the unit to its mounting surface with the four self-tapping #10x3/4" sheet metal screws through the holes in the mounting feet. The preferred mounting orientation is with the pressure ports facing down to prevent condensation from entering the pressure transducer. Do not mount to a vibrating surface as vibration may cause issues with the accuracy of the sensing element. See page 3 for an actual size mounting template for the unit.

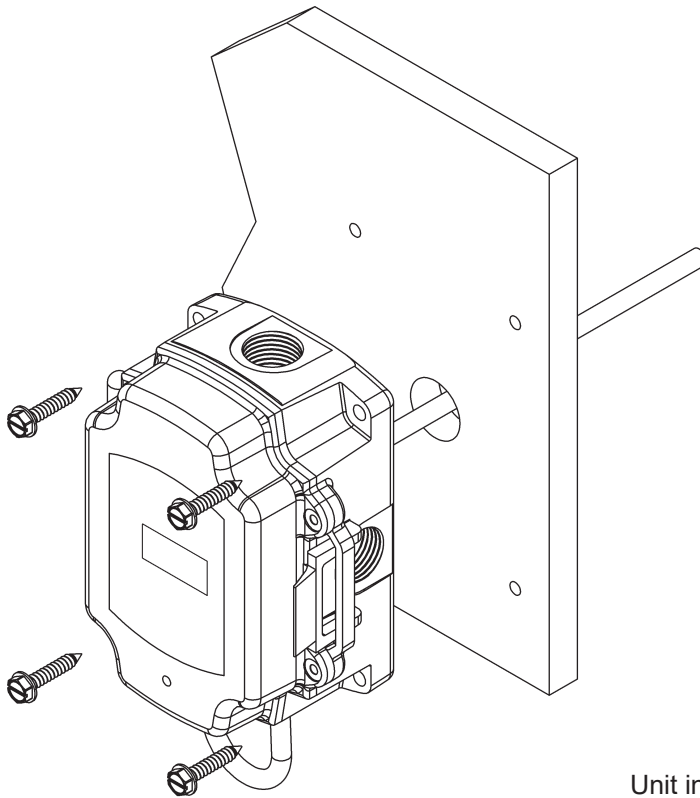
The two cover latch screws must be installed to achieve an IP66 rating.

After Auto-Zeroing, remove the deadhead tubing and push the system tubing onto the port nipple without creating any kinks or holes.

If a hole must be cut into the plastic plugs in the 1/2" NPSM threaded ports of the BAPI-Box enclosure, it's recommended to use BAPI's Clean-Cut Tool. Not using this tool could cause damage to the electronics of the sensor. See the Accessories section of BAPI's website or product catalog for more info on the Clean-Cut Tool.

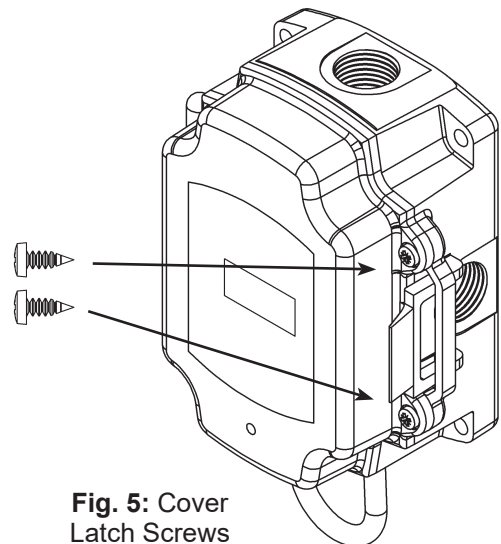


**Fig. 3:** ZPM BAPI-Box Mounting  
(for units without Attached Tube option)



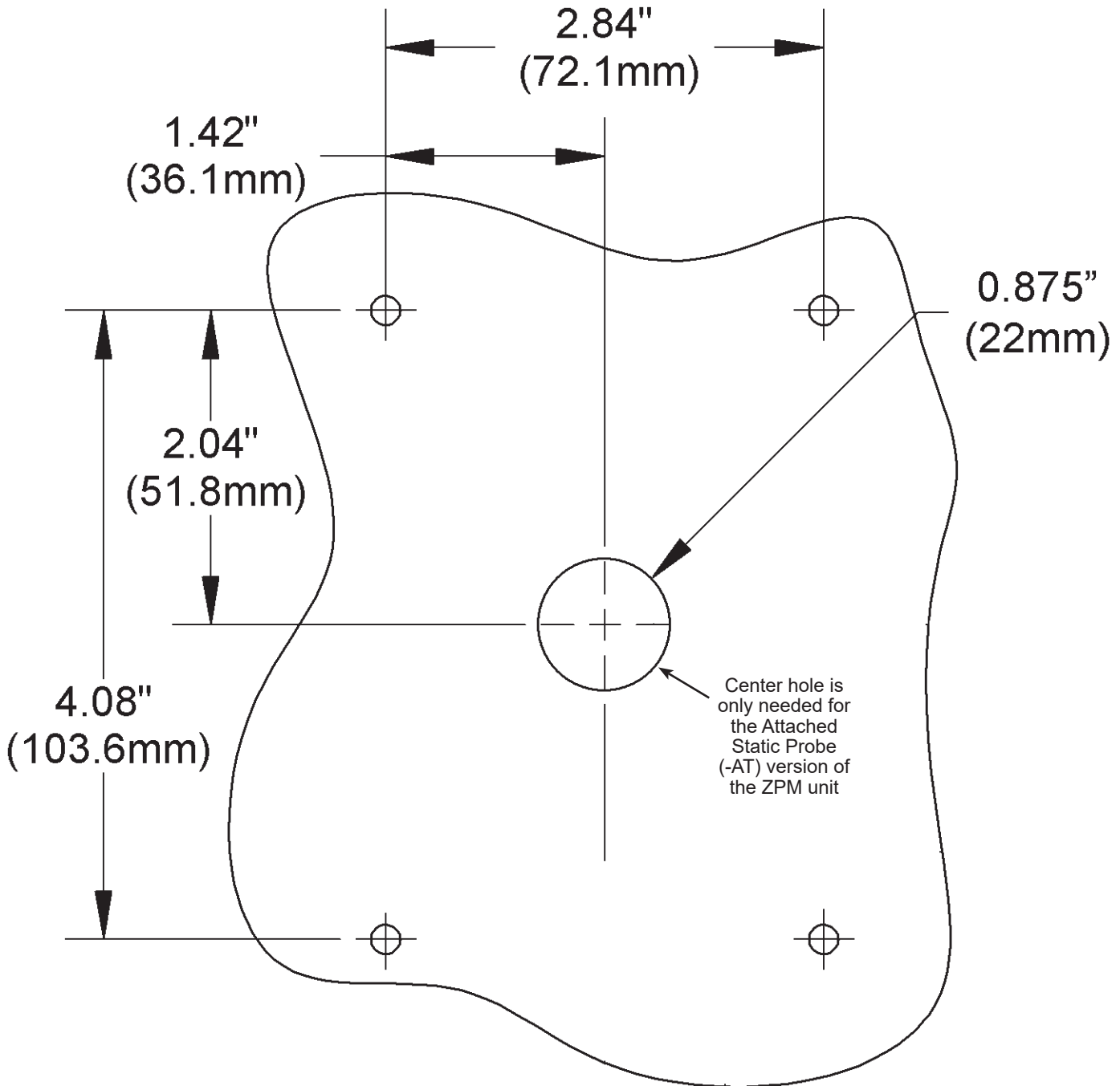
**Fig. 4:** ZPM BAPI-Box Mounting  
(for units with Attached Tube option)

Unit includes  
two screws  
for the hinged  
cover



**Fig. 5:** Cover  
Latch Screws

## Mounting Template



**Fig. 6:**  
Mounting Hole Template - shown actual size  
(BAPI recommends creating 5/32" (4mm) pilot holes  
for the #10x3/4" self-tapping mounting screws.)



# Standard Range ZPM - Zone Pressure Sensor in a BAPI-Box Enclosure

Installation & Operations

47138\_ins\_ZPM\_SR\_BB

rev. 05/24/23

## Output Termination



BAPI recommends wiring the product with power disconnected. Proper supply voltage, polarity and wiring connections are important to a successful installation. Not observing these recommendations may damage the product and void the warranty.

To ensure that all wires are properly terminated, twist the stripped ends of each wire together before inserting into the terminals. Gently tug on the wire after inserting into the terminal to verify a good connection.

Table 1: ZPM Termination

Output Signal	PWR Terminal	GND Terminal	OUT Terminal
4 to 20 mA	7 to 40 VDC	4 to 20 mA Signal To Controller Analog Input	Not Used
0 to 5 or 1 to 5 VDC	7 to 40 VDC or 18 to 32 VAC	To Controller Ground	VDC Signal To Controller Analog Input
0 to 10 or 2 to 10 VDC	13 to 40 VDC or 18 to 32 VAC	To Controller Ground	VDC Signal To Controller Analog Input

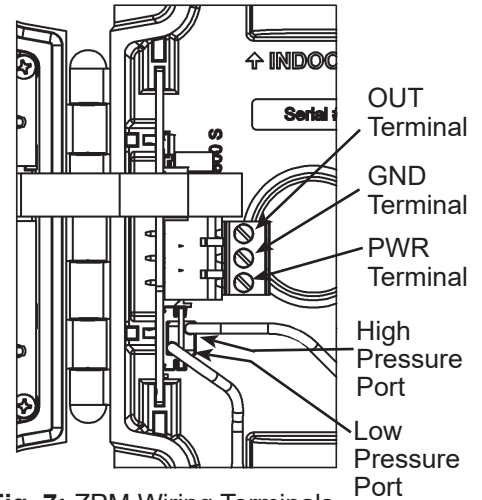


Fig. 7: ZPM Wiring Terminals

## Auto-Zero Procedure and Status LED Operation

### AUTO-ZERO FOR STANDARD UNITS

Auto-Zeroing must be done after the initial setup, changing mounting orientation or changing any settings. For most applications, perform an auto-zero whenever it appears that the sensor has drifted. For critical applications, the unit should be zeroed 2-3 times a year.

1. Power must be on.
2. Detach system tubing and deadhead ports using the supplied tubing or other short length of tubing. Do not kink tubing.
3. Press and hold the Auto-Zero button for 1-2 seconds. The Status LED will stop flashing when completed.
4. Remove deadhead tubing and reattach system tubing.

### AUTO-ZERO FOR UNITS WITH ATTACHED TUBE

1. Power must be on.
2. Disconnect system tubing from the Low Pressure brass fitting and attach the supplied 6" deadhead tubing to the brass fitting.
3. Disconnect the short clear tubing from the 90° black Attached Tube fitting with your fingers (Fig. 9). A pliers may cut the tubing.
4. Connect the clear tubing to the supplied straight black fitting on the 6" tubing (Fig. 9). Do not kink the tubing.
5. Press and hold the Auto-Zero button for 1-2 seconds. The Status LED will stop flashing when completed.
6. Disconnect the deadhead tubing and reattach the clear tubing and system tubing. Confirm that the clear tubing is pressed all of the way onto the fitting and that it is not kinked.

### STATUS LED OPERATION

**LED Off:** No power is applied or the unit is in 4 to 20 mA Mode

**LED Solid (On):** LED is on when power is applied and a VDC output is selected. When 4 to 20 mA output is selected, the light is on for 2 seconds at power up then goes off.

**LED Flashing:** Auto-Zero. The LED will flash for about 20 seconds.

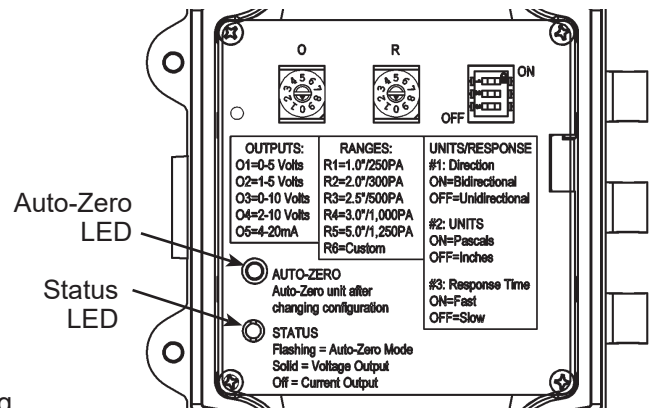


Fig. 8: Auto-Zero and Status LEDs

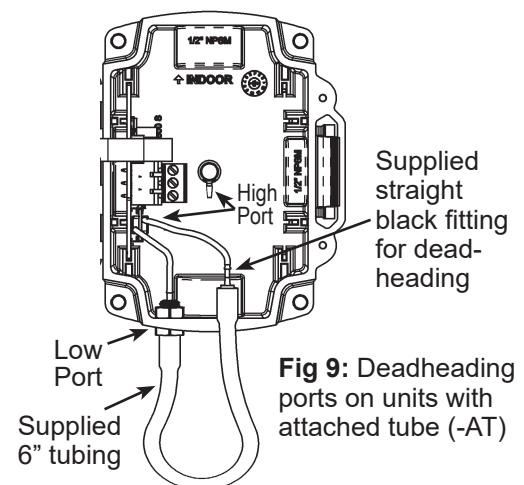
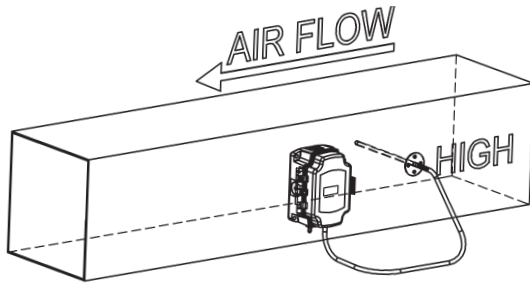


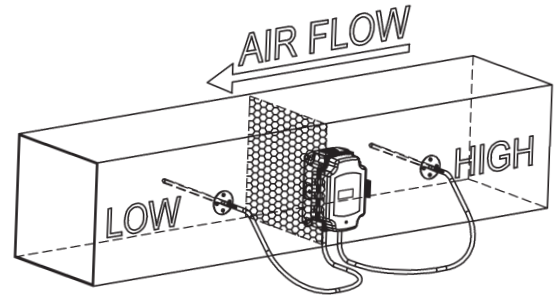
Fig. 9: Deadheading ports on units with attached tube (-AT)

## Typical Applications



**Fig. 10:** Duct Static Pressure Monitoring (ZPM Pressure Sensor mounted on the duct with a Static Pressure Probe in the duct.)

**NOTE:** Best practice is to form a drip loop in the tubing to prevent condensation from reaching the unit.



**Fig. 11:** Air Filter Pressure Drop Monitoring (ZPM Pressure Sensor mounted on the duct with a Static Pressure Probe on either side of the filter in a duct.)

## Diagnostics

### POSSIBLE PROBLEMS:

Status LED does not light

Status LED is flashing

Output stuck (high or low)

Output not tracking pressure properly

### POSSIBLE SOLUTIONS:

- Check power connections for proper power

- Sensor is set to 4 to 20mA output

- The unit is performing an auto-zero. Wait 20 seconds and check again.

- Remove pressure from ports and perform auto-zero procedure

- Check rotary switch for proper pressure range selection

- Check rotary switch for proper output range selection

## Specifications

### Power:

7 to 40 VDC (4 to 20 mA Output)

7 to 40 VDC or 18 to 32 VAC (0 to 5 or 1 to 5 VDC Output)

13 to 40 VDC or 18 to 32 VAC (0 to 10 or 2 to 10 VDC Output)

### Power Consumption:

20 mA max, DC only at 4 to 20 mA Output

5.2 mA max DC at 0 to 5 or 0 to 10 VDC Output

0.12 VA max AC at 0 to 5 or 0 to 10 VDC Output

### Load Resistance:

4 to 20 mA Output 850 Ω Maximum @ 24 VDC

0 to 5 or 0 to 10 VDC Output 6KΩ Minimum

### System Accuracy:

±0.25% FS at 72°F (22°C) for All Units

Standard Range Unit: ±0.025" WC (±6.22 Pa)

**Stability:** ±0.25% FS per year

**Overpressure:** Proof 300" WC (74 kPa)

**Media:** Clean, dry, non-corrosive gases

**Compensated Temperature Range:** 32 to 122°F (0 to 50°C)

**Environmental Operating Range:** -4 to 140°F (-20 to 60°C)

**Storage Temperature:** -40 to 185°F (-40 to 85°C)

**Humidity:** 0 to 95% RH, non-condensing

### Wiring:

2 wires (4 to 20mA Current loop)

3 wires (AC or DC powered, VDC output)

**Port Size:** 1/4" barb

### Enclosure Material:

UV-resistant Polycarbonate, UL94, V-0

**Enclosure Rating:** IP66, NEMA 4

### Agency:

CE EN 61326-1:2013 EMC (Industrial Electromagnetic Environment), UL, RoHS

### Selectable Standard Ranges

Inches WC	Pascals
0 to 1.00.....	0 to 250
0 to 2.00.....	0 to 300
0 to 2.50.....	0 to 500
0 to 3.00.....	0 to 1,000
0 to 5.00.....	0 to 1,250
-1.00 to 1.00 .....	-250 to 250
-2.00 to 2.00 .....	-300 to 300
-2.50 to 2.50 .....	-500 to 500
-3.00 to 3.00 .....	-1,000 to 1,000
-5.00 to 5.00 .....	-1,250 to 1,250

Specifications subject to change without notice.