



Features & Options

- 10 Pressure Ranges & Five Outputs – All Field Selectable
- Standard Range and Low Range Models (-5 to +5 WC or -1,250 to +1,250 Pascals) (-1.0 to +1.0 WC or -250 to +250 Pascals)
- About 1/3rd the Size of Field Mount Pressure Sensors to Save Panel Space



- Free NIST Certificate Included with Each Unit at No Extra Charge
- Mounts in DIN Rail, Snaptrack or Directly to the Panel Backplane
- Display That Aids in Troubleshooting by Showing Pressure Over Entire Operational Range



EZ Pressure Sensor



Specifications

Power:

7 to 40 VDC (4 to 20 mA Output)
 7 to 40 VDC or 6 to 28 VAC (0 to 5 or 1 to 5 VDC Output)
 12 to 40 VDC or 9 to 28 VAC (0 to 10 or 2 to 10 VDC Output)

Power Consumption:

20 mA max, DC only at 4 to 20 mA Output
 4.9 mA max DC at 0 to 5 or 0 to 10 VDC Output
 0.12 VA max AC at 0 to 5 or 0 to 10 VDC Output

Load Resistance:

4 to 20 mA Output 850 Ω Maximum @ 24 VDC
 0 to 5, 1 to 5, 0 to 10, 2 to 10 VDC Output 6Ω min.

System Accuracy: ±0.25% FS at 72°F (22°C) for all units

Low Range Unit: ±0.005" WC (±1.24 Pa)
 Standard Range Unit: ±0.025" WC (±6.22 Pa)

Stability: ±0.25% F.S. per year

Overpressure:

Low Range: Proof: 100" WC (3.6 PSI)
 Burst: 300" WC (10.82 PSI)
 Standard Range: Proof: 200" WC (7.21 PSI)
 Burst: 300" WC (10.82 PSI)

Media: Clean, dry, non-corrosive gases

Compensated Temperature Range:

32 to 122°F (0 to 50°C)

Environmental Operating Range:

14°F to 140°F (-10°C to 60°C)

Storage Temp.: -40 to 203°F (-40 to 95°C)

Humidity: 0 to 95% RH, non-condensing

Wiring:

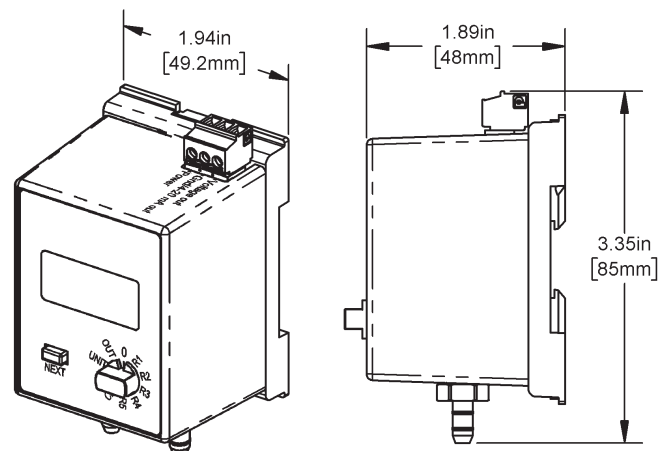
Removable terminal block (14 to 24 AWG)*
 2 wires (4 to 20mA Current loop)*
 3 wires (AC or DC powered, Voltage out)*

Port Size: 1/4" barb (1/8" to 3/16" I.D.)

Enclosure Material: ABS Plastic, UL94 V-0

Mounting: DIN Rail, Snaptrack or Surface

Agency: RoHS, UL



*BAPI recommends that you do not run wiring for the pressure transmitter in the same conduit as line voltage wiring or with wiring used to supply highly inductive loads such as motors, generators and coils.





Ordering Information (for units without a factory specified range or output)

PART NUMBER	DESCRIPTION
ZPS-SR-EZ-NT-INStandard Range Unit, Inches WC, Display, No Tube or Probe included
ZPS-SR-EZ-NT-PAStandard Range Unit, Pascals, Display, No Tube or Probe included
ZPS-SR-EZ-ST-INStandard Range Unit, Inches WC, Display with Static Pressure Probe
ZPS-SR-EZ-ST-PAStandard Range Unit Pascals, Display with Static Pressure Probe
ZPS-LR-EZ-NT-INLow Range Unit, Inches WC, Display, No Tube or Probe included
ZPS-LR-EZ-NT-PALow Range Unit, Pascals, Display, No Tube or Probe included
ZPS-LR-EZ-ST-INLow Range Unit, Inches WC, Display with Static Pressure Probe
ZPS-LR-EZ-ST-PALow Range Unit Pascals, Display with Static Pressure Probe

Note: Pressure Range and Output Range for these units will be selected in the field.

For units with a factory specified range or output, use Selection Guide below

Standard and Low Range EZ Pressure Option Selection Guide

ZPS - (#1) - (#2) - (#3)

#1: Pressure Output (required)

20.....	4 to 20 mA
05.....	0 to 5 V
15.....	1 to 5 V
10.....	0 to 10 V
12.....	2 to 10 V

#2: Pressure Range (required)

LOW RANGES

WC Ranges	Pascal Ranges
LR51 ..	0 to 0.10
LR52 ..	0 to 0.25
LR53 ..	0 to 0.50
LR54 ..	0 to 0.75
LR55 ..	0 to 1.00
LR56 ..	-0.10 to 0.10
LR57 ..	-0.25 to 0.25
LR58 ..	-0.50 to 0.50
LR59 ..	-0.75 to 0.75
LR60 ..	-1.00 to 1.00
LR61	0 to 30
LR62	0 to 50
LR63	0 to 100
LR64	0 to 175
LR65	0 to 250
LR66	-30 to 30
LR67	-50 to 50
LR68	-100 to 100
LR69	-175 to 175
LR70	-250 to 250

#2: Pressure Range continued...

STANDARD RANGES

WC Ranges	Pascal Ranges
SR71..	0 to 1.00
SR72..	0 to 2.00
SR73..	0 to 2.50
SR74..	0 to 3.00
SR75..	0 to 5.00
SR76..	-1.00 to 1.00
SR77..	-2.00 to 2.00
SR78..	-2.50 to 2.50
SR79..	-3.00 to 3.00
SR80..	-5.00 to 5.00
SR81.....	0 to 250
SR82.....	0 to 300
SR83.....	0 to 500
SR84.....	0 to 1,000
SR85.....	0 to 1,250
SR86.....	-250 to 250
SR87.....	-300 to 300
SR88.....	-500 to 500
SR89..	-1,000 to 1,000
SR90..	-1,250 to 1,250

#3: Static Pressure Tube (required)

EZ-NT .. No Tube included
EZ-ST .. Static Pressure Tube included

Custom Ranges are available for these units.
Contact your BAPI representative for ordering.
Submittal sheets without List Prices can be downloaded from our website at www.bapihvac.com

Example Number: ZPS - (05) - (SR72) - (EZ-ST)

Actual Number (with parenthesis removed): ZPS-05-SR72-EZ-ST

Description: 0 to 5 V Output, 0 to 2" WC Pressure Range, EZ Unit with Static Tube.

Your Number: ZPS-

