



Patent Pending

Features & Options

- Single Pressure Range and Single Output Range
- Optional Attached Static Pressure Probe So the Unit Doesn't Require Two Trades to Install
- Simple Auto-Zero Process
- Reverse Wiring Protection



- Free NIST Certificate Included with Each Unit at No Extra Charge
- Rugged IP66, NEMA 4 Enclosure with Hinged Cover
- Visible 5-Color LED to Indicate Current Pressure Status Without Having to Access the BAS



Fixed Range Pressure

Specifications

Power:

For All Outputs and Ranges:
18 to 28 VAC @ 1 VA max

POWER FOR STANDARD PRESSURE RANGES (Ranges FR51-55, FR61-65, FR56-60, FR66-70)

For 0 to 5 VDC Output Units:
10 to 32 VDC @ 12 mA max
(10 to 24 VDC recommended)

For 0 to 10 VDC Output Units:
18 to 32 VDC @ 12 mA max
(18 to 24 VDC recommended)

POWER FOR LOW PRESSURE RANGES (RANGES FR91, FR73-75, FR82-85, FR96, FR78-80, FR87-90)

0 to 5 VDC Output Units:
9 to 32 VDC @ 10 mA max
(9 to 24 VDC recommended)

0 to 10 VDC Output Units:
13 to 32 VDC @ 10mA max
(13 to 24 VDC recommended)

System Accuracy at 72°F

For units ≥ 0.25 " WC (62.5 Pa)
 $\pm 1.0\%$ FS of input range

For units < 0.25 " WC (62.5 Pa)
 $\pm 0.5\%$ FS of input range

*BAPI recommends that you do not run wiring for the pressure transmitter in the same conduit as line voltage wiring or with wiring used to supply highly inductive loads such as motors, generators, and coils.

Environmental Operation Range:

14 to 140°F (-10 to 60°C)

Storage Temp: -40 to 203°F (-40 to 95°C)

Stability: 0.15% FS per year

Overpressure

Proof: 27.68" WC (1 PSI)

Burst: 41.52" WC (1.5 PSI)

Wiring*: 3-wires, AC or DC powered, Voltage out

Humidity: 0 to 95% RH, non-condensing

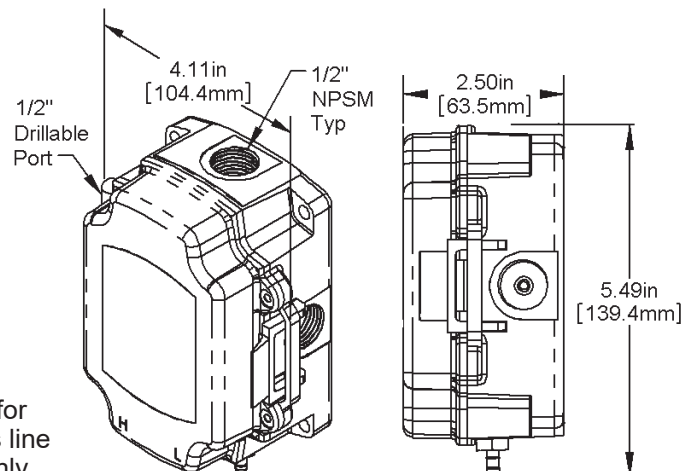
Port Connection: 1/4" tubing (1/8 to 3/16" ID)

Enclosure Material & Rating:

UV-resistant Polycarb., UL94 V-0, IP66, NEMA 4

Mounting:

4 external tabs with holes for #10 screws





Fixed Range Pressure Option Selection Guide

ZPS - (#1) - (#2) - (#3)

#1: Pressure Output (required)

- 05..... 0 to 5 V
- 10..... 0 to 10 V
- 12..... 2 to 10 V
- 15..... 1 to 5 V

#2: Pressure Range (required)

UNIDIRECTIONAL RANGES

<u>WC Ranges</u>	<u>Pascal Ranges</u>
FR51.. 0 to 0.10	FR61.....0 to 30
FR52.. 0 to 0.25	FR62.....0 to 50
FR53.. 0 to 0.50	FR63.....0 to 100
FR55.. 0 to 1.00	FR65.....0 to 250
FR91.. 0 to 1.25	FR82.....0 to 300
FR73.. 0 to 2.50	FR83.....0 to 500
FR74.. 0 to 3.00	FR84.....0 to 1,000
FR75.. 0 to 5.00	FR85.....0 to 1,250

#2: Pressure Ranges continued...

BIDIRECTIONAL RANGES

<u>WC Ranges</u>	<u>Pascal Ranges</u>
FR56.. -0.10 to 0.10	FR66..... -30 to 30
FR57.. -0.25 to 0.25	FR67..... -50 to 50
FR58.. -0.50 to 0.50	FR68..... -100 to 100
FR60.. -1.00 to 1.00	FR70..... -250 to 250
FR96.. -1.25 to 1.25	FR87..... -300 to 300
FR78.. -2.50 to 2.50	FR88..... -500 to 500
FR79.. -3.00 to 3.00	FR89.. -1,000 to 1,000
FR80.. -5.00 to 5.00	FR90.. -1,250 to 1,250

#3: Static Pressure Tube (required)

- BB-NT.. No Tube included
- BB-ST.. Static Pressure Tube included
- BB-AT .. Attached Static Pressure Probe

Factory set Custom Ranges are available for these units. Contact your BAPI representative for ordering.

Example Number: ZPS - (05) - (FR73) - (BB-ST)

Actual Number (with parenthesis removed): ZPS-05-FR72-BB-ST

Description: 0 to 5 V Output, 0 to 2.50" WC Pressure Range, FRP Unit with Static Tube.

Your Number: ZPS-

