



5-year warranty



Type overview

Type	DN
B211B	15

Technical data

<b>Functional data</b>	Valve size [mm]	0.5" [15]	
	Fluid	chilled or hot water, up to 60% glycol	
	Fluid Temp Range (water)	0...250°F [-18...120°C]	
	Body Pressure Rating	600 psi	
	Close-off pressure Δps	200 psi	
	Flow characteristic	equal percentage	
	Pipe connection type	Internal thread NPT (female)	
	Servicing	maintenance-free	
	Flow Pattern	2-way	
	Leakage rate	0% for A – AB	
	Controllable flow range	75°	
	Cv	1.9	
	<b>Materials</b>	Valve body	Nickel-plated brass body
		Stem	nickel-plated brass
Stem seal		EPDM (lubricated)	
Seat		PTFE	
Characterized disc		TEFZEL®	
O-ring		EPDM (lubricated)	
Ball		chrome plated brass	
<b>Suitable actuators</b>	Non-Spring	TR LRB(X)	
	Spring	TFRB(X) LF	

Safety notes



- WARNING: This product can expose you to lead which is known to the State of California to cause cancer and reproductive harm. For more information go to [www.p65warnings.ca.gov](http://www.p65warnings.ca.gov)

Product features

**Application** This valve is typically used in air handling units on heating or cooling coils, and fan coil unit heating or cooling coils. Some other common applications include Unit Ventilators, VAV box re-heat coils and bypass loops. This valve is suitable for use in a hydronic system with variable flow.

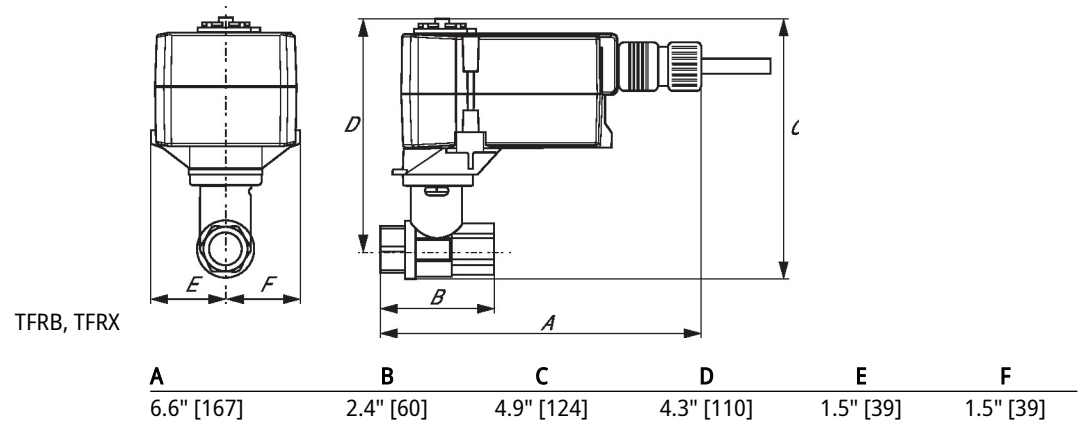
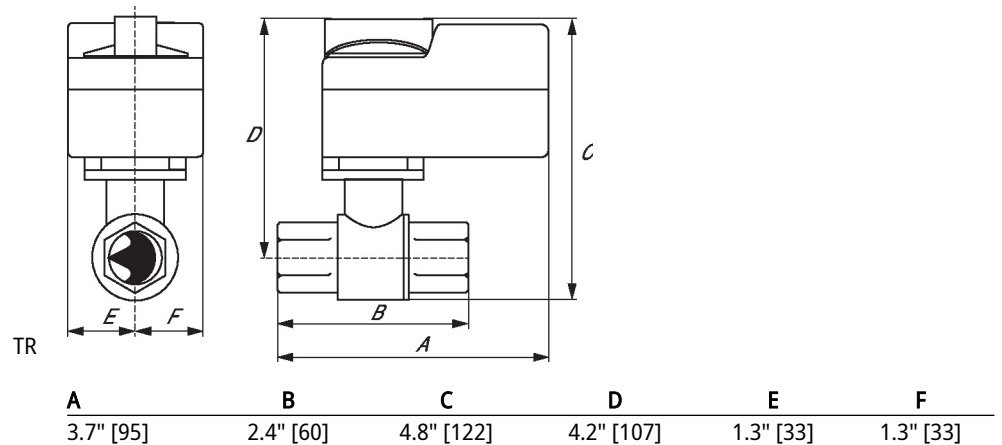
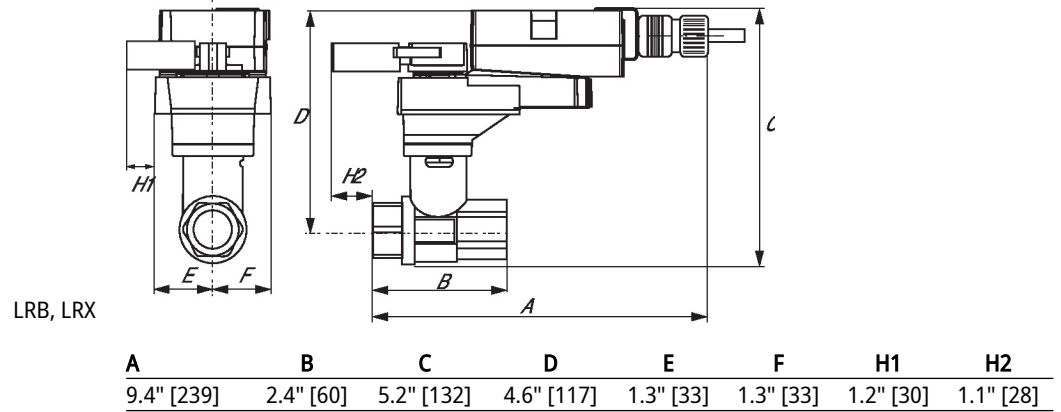
## Flow/Mounting details



Two-way valves should be installed with the disc upstream.

## Dimensions

Type	DN	Weight
B211B	15	0.51 lb [0.23 kg]





A	B	C	D	E	F
7.9" [200]	2.4" [60]	5.7" [146]	5.1" [129]	1.8" [46]	1.8" [46]