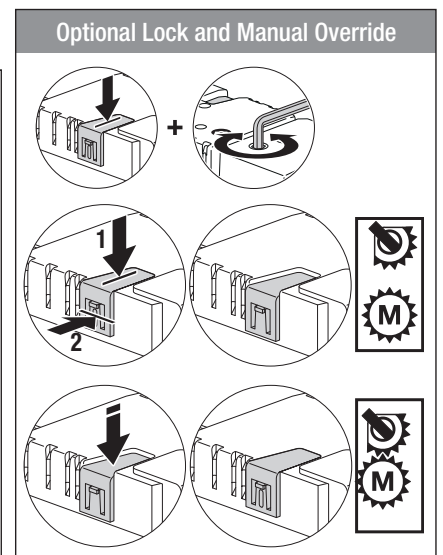
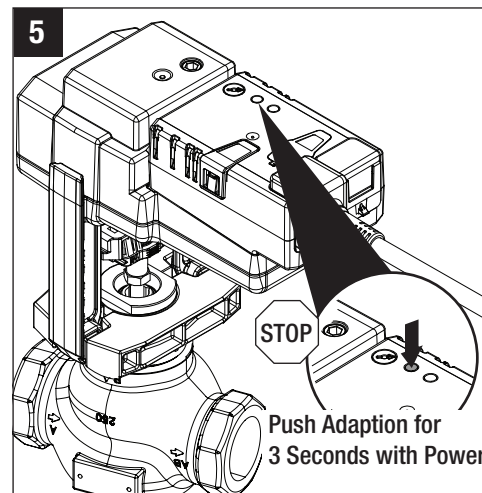
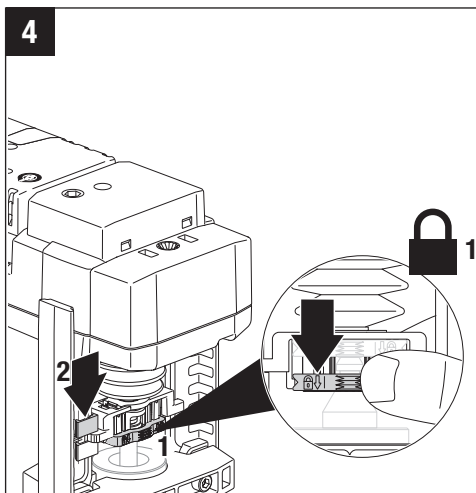
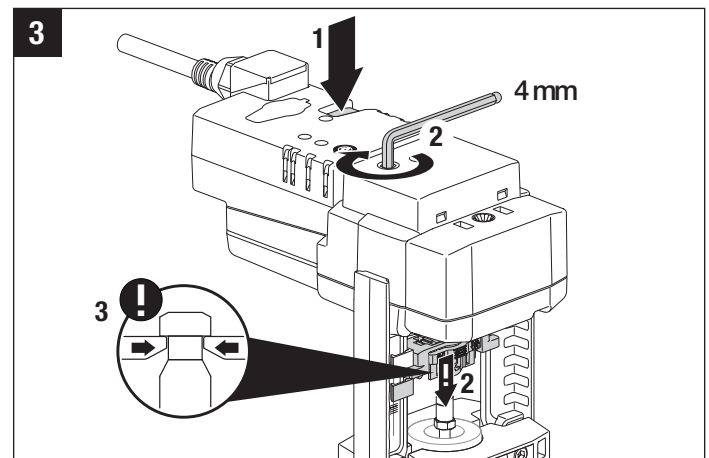
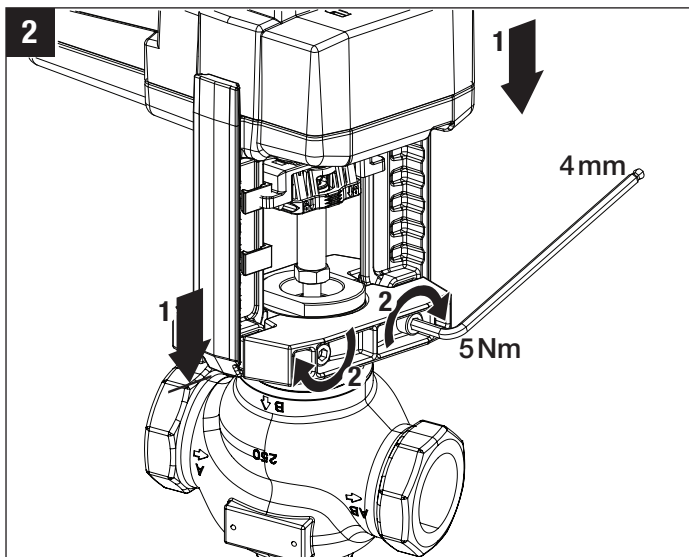
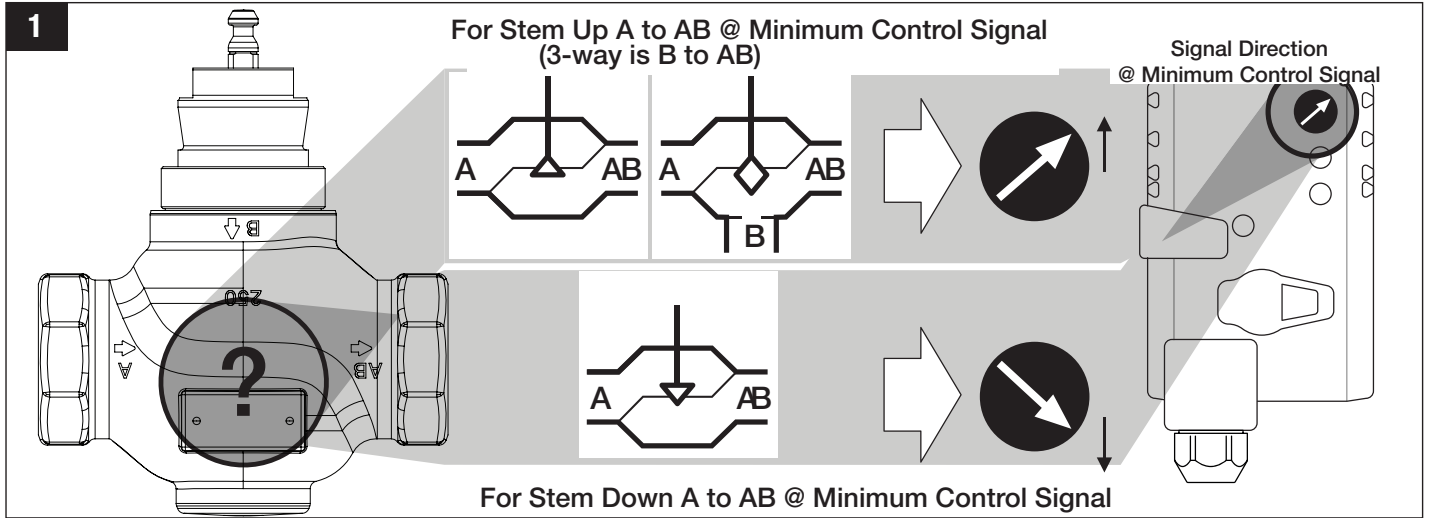


BGVL/G2/G3 Linkage with LV and SV Series Actuators

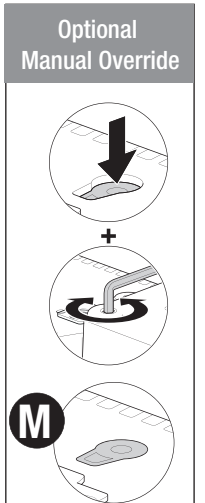
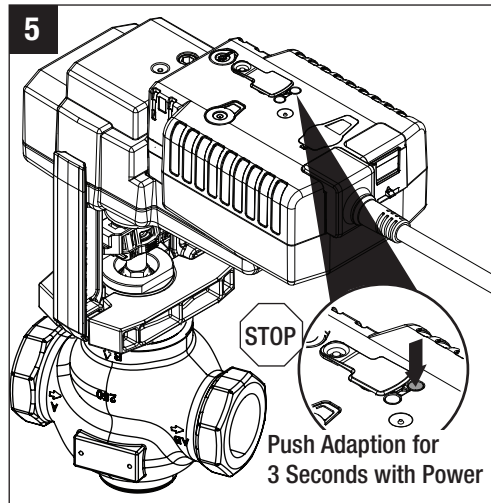
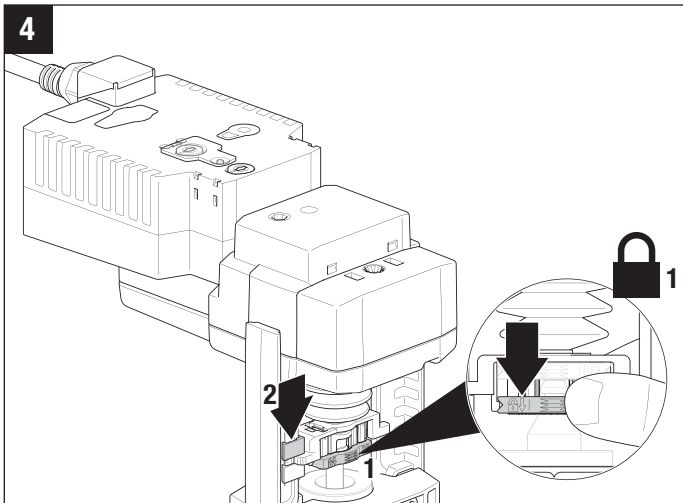
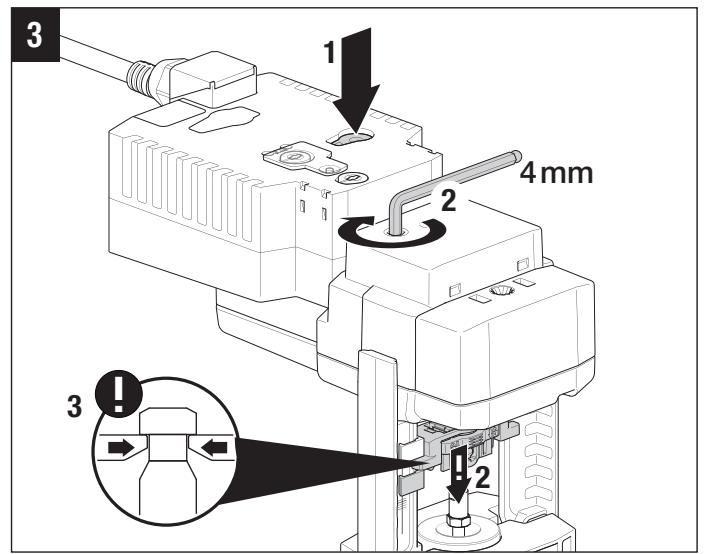
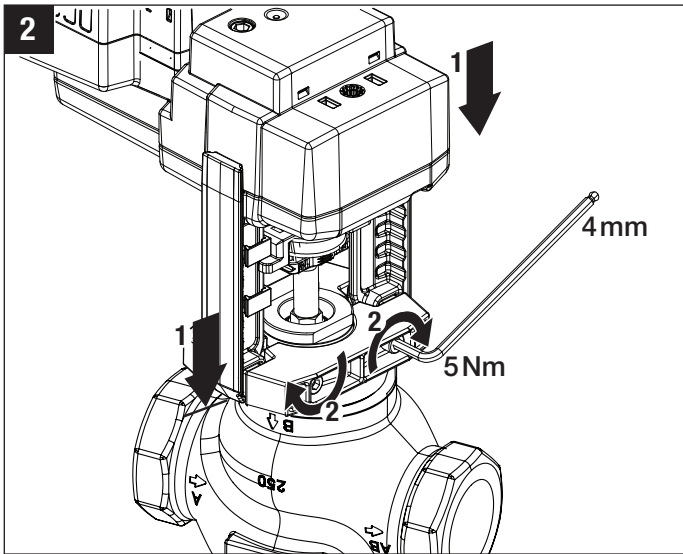
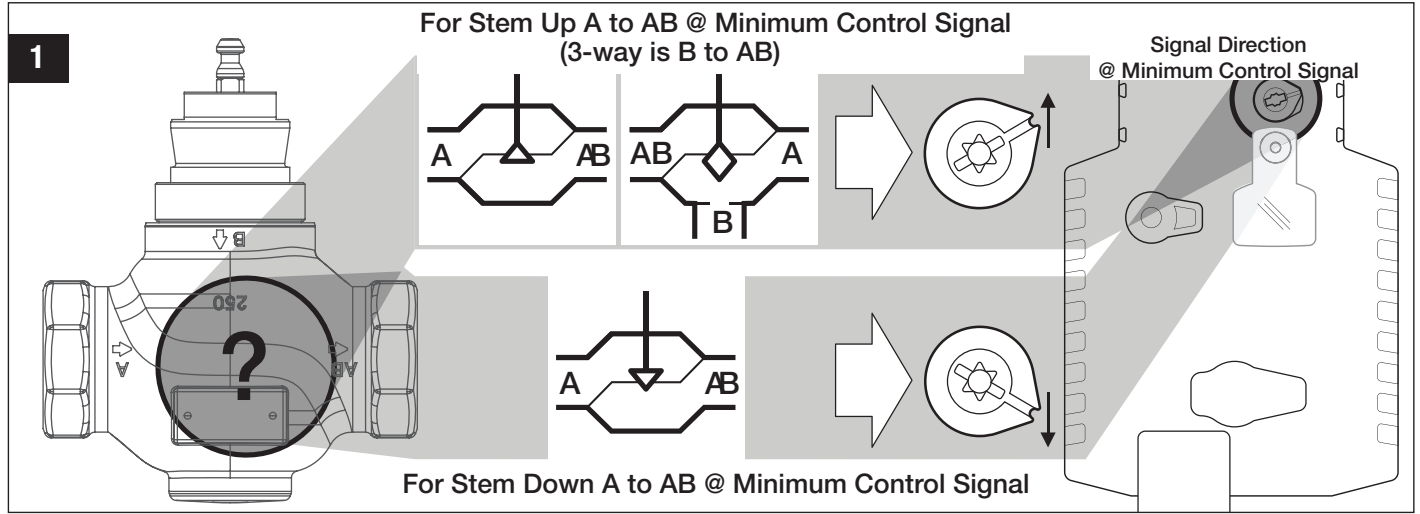


BGVL/G2/G3 Linkage with LV and SV Series Actuators

WIRING DIAGRAMS

| <p>Non-Spring Return Actuator with -3</p> <p>On/Off</p> | <p>Non-Spring Return Actuator with -SR</p> <p>Floating Point</p> | <p>Non-Spring Return Actuator with -SR</p> <p>VDC / 4 to 20 mA</p> | <p>BRN Brown Marron Brun Marron</p> <p>BLU Blue Azul Bleu Azul</p> <p>ORG Orange Anaranjado Orange Alaranjado</p> <p>PNK Pink Rosado Rosa Cor-de-ros</p> <p>WHT White Blanco Blanc Bianco</p> <p>RED Red Rojo Rouge Vermelho</p> <p>BLK Black Negro Noir Preto</p> | | | | | | | | | | | | | | | | | | | | | | | | | | |
|---|--|---|---|---|---|---|--|-----|------|---|---|---|-----|-------|---|---|---|-----|--------|---|---|---|--------|------------------------|---|---|---|--|--|
| <p>100 to 240 VAC</p> <p>On/Off</p> | <p>100 to 240 VAC</p> <p>Floating Point</p> | <p>Signal Direction</p> <p>Selector Switch</p> | | | | | | | | | | | | | | | | | | | | | | | | | | | |
| <p>24 VAC Transformer (AC only)</p> <p>Triac Sink</p> | <p>24 VAC Transformer (AC only)</p> <p>Triac Source</p> | | | | | | | | | | | | | | | | | | | | | | | | | | | | |
| <p>Non-Spring Return Actuator with MFT</p> | | | | | | | | | | | | | | | | | | | | | | | | | | | | | |
| <p>24 VAC Transformer</p> <p>On/Off</p> | <p>24 VAC Transformer</p> <p>Floating Point</p> | <p>Notes:</p> <ul style="list-style-type: none"> ◆ Meets cULUS requirements without the need of an electrical ground connection Ⓐ Actuators with appliance cables are numbered. Ⓐ Actuators may be connected in parallel. Power consumption and input impedance must be observed. Ⓐ Actuators may also be powered by 24 VDC. Ⓐ Only connect common to neg. (-) leg of control circuits. Ⓐ A 500 Ω resistor converts the 4 to 20 mA control signal to 2 to 10 VDC. Ⓐ Control signal may be pulsed from either the Hot (Source) or Common (Sink) 24 VAC line. Ⓐ Contact closures A & B also can be triacs. A & B should both be closed for the triac source and open for triac sink. Ⓐ Actuators with plenum rated cable do not have numbers on wires; use color codes instead. | | | | | | | | | | | | | | | | | | | | | | | | | | | |
| <p>24 VAC Transformer</p> <p>VDC / 4 to 20 mA</p> | <p>24 VAC Transformer (AC Only)</p> <p>Override Control Min, Mid, Max Positions</p> <table border="1"> <thead> <tr> <th>Functions</th> <th>a</th> <th>b</th> <th>c</th> <th></th> </tr> </thead> <tbody> <tr> <td>Min</td> <td>0% ←</td> <td>✓</td> <td>✓</td> <td>✓</td> </tr> <tr> <td>Mid</td> <td>50% ←</td> <td>✓</td> <td>✓</td> <td>✓</td> </tr> <tr> <td>Max</td> <td>100% ←</td> <td>✓</td> <td>✓</td> <td>✓</td> </tr> <tr> <td>Normal</td> <td>Control mode acc. to Y</td> <td>✓</td> <td>✓</td> <td>✓</td> </tr> </tbody> </table> | Functions | | a | b | c | | Min | 0% ← | ✓ | ✓ | ✓ | Mid | 50% ← | ✓ | ✓ | ✓ | Max | 100% ← | ✓ | ✓ | ✓ | Normal | Control mode acc. to Y | ✓ | ✓ | ✓ | | |
| Functions | a | b | | c | | | | | | | | | | | | | | | | | | | | | | | | | |
| Min | 0% ← | ✓ | | ✓ | ✓ | | | | | | | | | | | | | | | | | | | | | | | | |
| Mid | 50% ← | ✓ | | ✓ | ✓ | | | | | | | | | | | | | | | | | | | | | | | | |
| Max | 100% ← | ✓ | | ✓ | ✓ | | | | | | | | | | | | | | | | | | | | | | | | |
| Normal | Control mode acc. to Y | ✓ | ✓ | ✓ | | | | | | | | | | | | | | | | | | | | | | | | | |

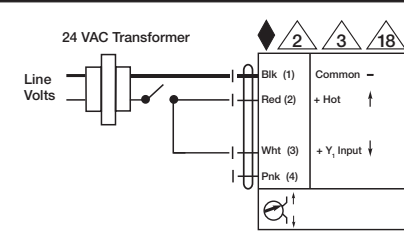
BGVL/G2/G3 Linkage with LVK and SVK Series Actuators



BGVL/G2/G3 Linkage with LVK and SVK Series Actuators

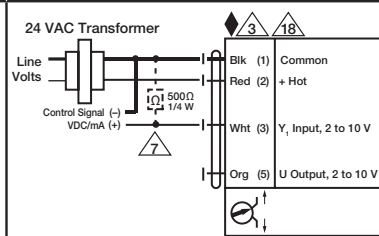
WIRING DIAGRAMS

Electronic Fail-Safe Actuator with -3

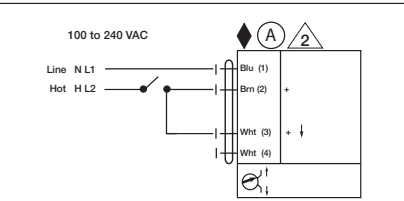


On/Off

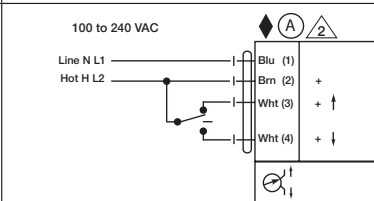
Electronic Fail-Safe Actuator with -SR



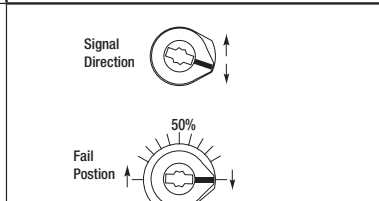
VDC / 4 to 20 mA



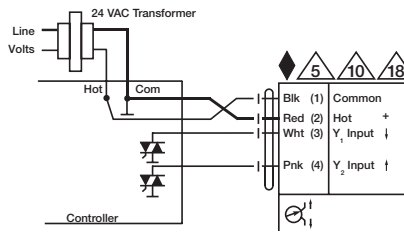
On/Off



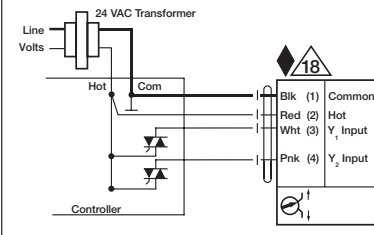
Floating Point



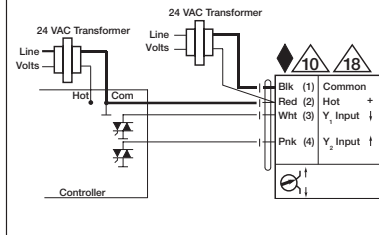
Selector Switches



Triac Sink

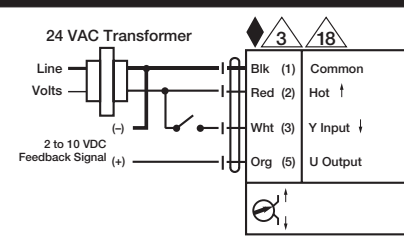


Triac Source

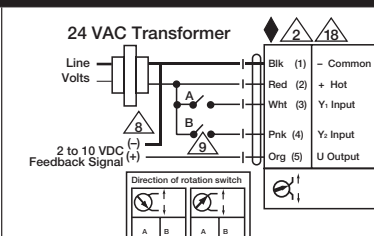


Triac Sink with Separate Transformer

Electronic Fail-Safe Actuator with MFT

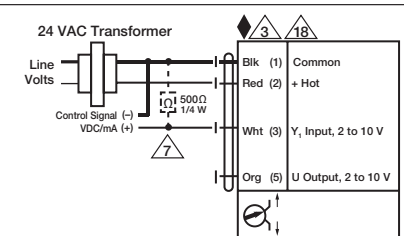


On/Off

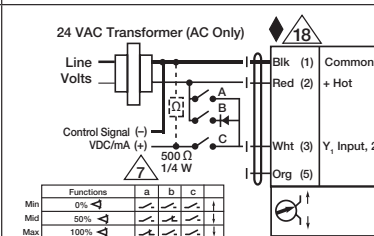


Floating Point

- Notes:**
- ◆ Meets cULus requirements without the need of an electrical ground connection
 - Ⓐ Actuators with appliance cables are numbered.
 - Ⓐ Actuators may be connected in parallel. Power consumption and input impedance must be observed.
 - Ⓐ Actuators may also be powered by 24 VDC.
 - Ⓐ Only connect common to neg. (-) leg of control circuits.
 - Ⓐ A 500 Ω resistor converts the 4 to 20 mA control signal to 2 to 10 VDC.
 - Ⓐ Control signal may be pulsed from either the Hot (Source) or Common (Sink) 24 VAC line.
 - Ⓐ Contact closures A & B also can be triacs. A & B should both be closed for the triac source and open for triac sink.
 - Ⓐ Actuators with plenum rated cable do not have numbers on wires; use color codes instead.



VDC / 4 to 20 mA



Override Control Min, Mid, Max Positions

- BRN** Brown
- MARR** Marron
- BRUN** Brun
- MARRM** Marrom
- BLU** Blue
- AZUL** Azul
- ORG** Orange
- ANARANJADO** Anaranjado
- ORG** Orange
- ALARANJADO** Alaranjado
- PNK** Pink
- ROSA** Rosado
- COLORES** Cor-de ros
- WHT** White
- BLANCO** Blanco
- ROUGE** Rouge
- BRANCO** Branco
- RED** Red
- ROJO** Rojo
- ROUGE** Rouge
- VERMELHO** Vermelho
- BLK** Black
- NEGRO** Negro
- NOIR** Noir
- PRETO** Preto