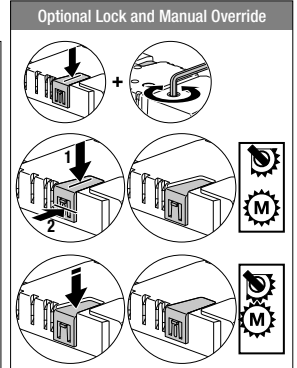
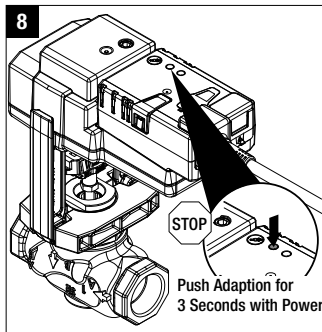
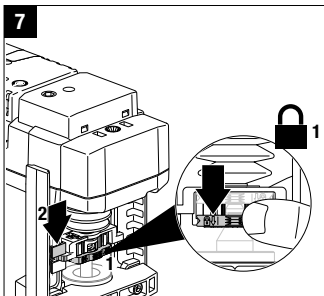
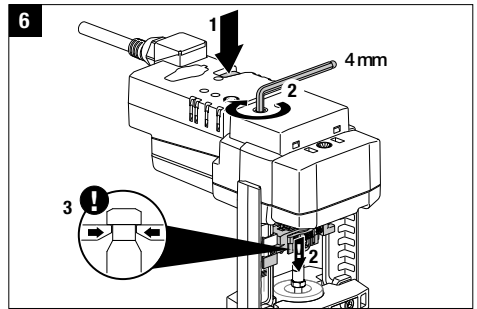
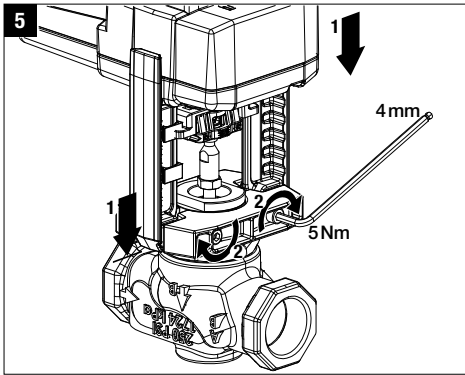
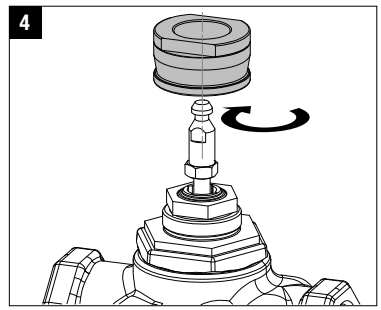
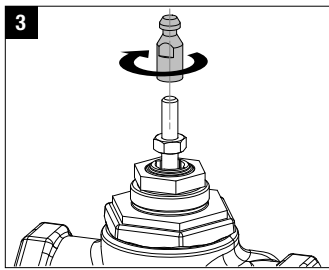
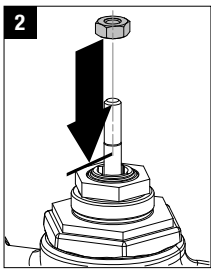
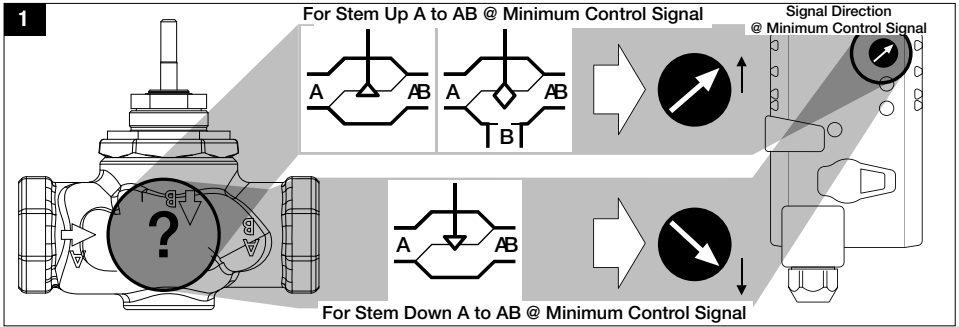


QUICK MOUNT VISUAL INSTRUCTION MANUAL

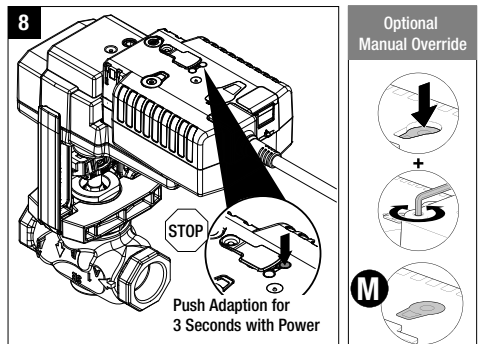
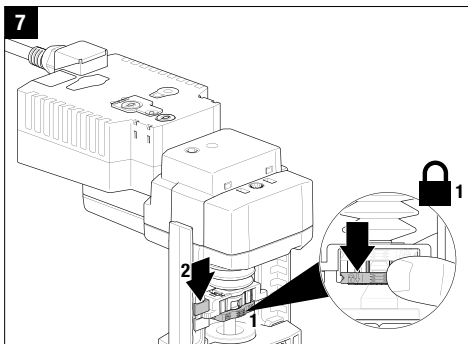
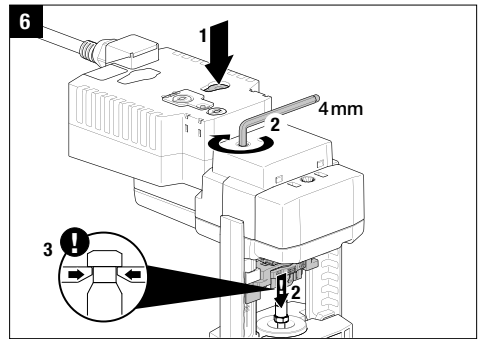
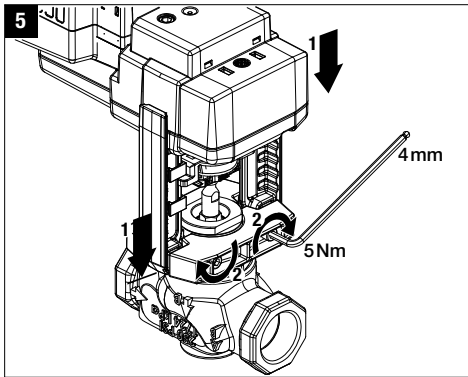
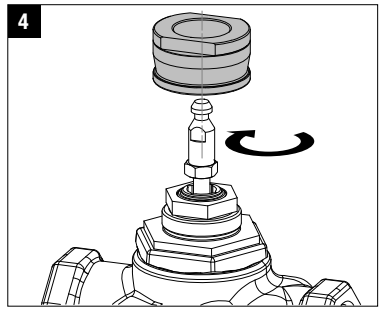
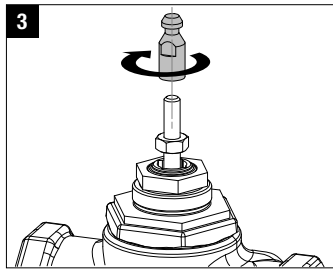
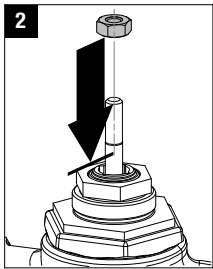
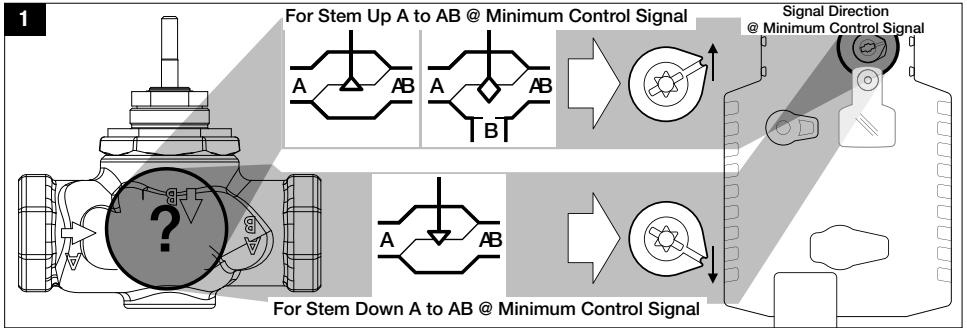
SGVL/G2/G3 Linkage with LV and SV Series Actuators



WIRING DIAGRAMS

<p>Non-Spring Return Actuator with -3</p> <p>24 VAC Transformer</p> <p>Line Volts</p> <p>Blk (1) Common</p> <p>Red (2) + ↑</p> <p>Wht (3) + ↓</p> <p>Org (5) U Output, 2 to 10 V</p> <p>On/Off</p>	<p>Floating Point</p> <p>24 VAC Transformer</p> <p>Line Volts</p> <p>Blk (1) Common</p> <p>Red (2) + ↑</p> <p>Wht (3) + ↓</p> <p>Org (5) U Output, 2 to 10 V</p>	<p>Non-Spring Return Actuator with -SR</p> <p>24 VAC Transformer</p> <p>Line Volts</p> <p>Blk (1) Common</p> <p>Red (2) + Hot</p> <p>Wht (3) Y, Input, 2 to 10 V</p> <p>Org (5) U Output, 2 to 10 V</p> <p>VDC / 4 to 20 mA</p>															
<p>On/Off</p> <p>100 to 240 VAC</p> <p>Line N L1</p> <p>Hot H L2</p> <p>Blu (1) Common -</p> <p>Brn (2) + ↑</p> <p>Wht (3) + ↓</p> <p>Org (5) U Output, 2 to 10 V</p>	<p>Floating Point</p> <p>100 to 240 VAC</p> <p>Line N L1</p> <p>Hot H L2</p> <p>Blu (1) Common -</p> <p>Brn (2) + ↑</p> <p>Wht (3) + ↓</p> <p>Org (5) U Output, 2 to 10 V</p>	<p>Selector Switch</p> <p>Signal Direction</p>															
<p>Triac Sink</p> <p>24 VAC Transformer (AC only)</p> <p>Line Volts</p> <p>Blk (1) Common -</p> <p>Red (2) + Hot</p> <p>Wht (3) Y, Input</p> <p>Org (5) U Output</p>	<p>Triac Source</p> <p>24 VAC Transformer (AC only)</p> <p>Line Volts</p> <p>Blk (1) Common -</p> <p>Red (2) + Hot</p> <p>Wht (3) Y, Input</p> <p>Org (5) U Output</p>	<p>Notes:</p> <ul style="list-style-type: none"> Meets cULus requirements without the need of an electrical ground connection Actuators with appliance cables are numbered. Actuators may be connected in parallel. Power consumption and input impedance must be observed. Actuators may also be powered by 24 VDC. Only connect common to neg. (-) leg of control circuits. A 500 Ω resistor converts the 4 to 20 mA control signal to 2 to 10 VDC. Control signal may be pulsed from either the Hot (Source) or Common (Sink) 24 VAC line. Contact closures A & B also can be triacs. A & B should both be closed for the triac source and open for triac sink. For triac sink the Common connection from the actuator must be connected to the Hot connection of the controller. Position feedback cannot be used with a triac sink controller. The actuator internal common reference is not compatible. IN4004 or IN4007 diode. (IN4007 supplied, Belimo Part number 40155) Actuators with plenum rated cable do not have numbers on wires; use color codes instead. 															
<p>Non-Spring Return Actuator with MFT</p> <p>24 VAC Transformer</p> <p>Line Volts</p> <p>Blk (1) Common</p> <p>Red (2) + Hot</p> <p>Wht (3) Y Input</p> <p>Org (5) U Output</p> <p>2 to 10 VDC Feedback Signal (-)</p>	<p>Floating Point</p> <p>24 VAC Transformer</p> <p>Line Volts</p> <p>Blk (1) - Common</p> <p>Red (2) + Hot</p> <p>Wht (3) Y, Input</p> <p>Org (5) U Output 2 to 10 V</p> <p>2 to 10 VDC Feedback Signal (-)</p> <table border="1"> <thead> <tr> <th></th> <th>Feedback Signal (-)</th> <th>Feedback Signal (+)</th> </tr> </thead> <tbody> <tr> <td>Min</td> <td>50%</td> <td>50%</td> </tr> <tr> <td>Mid</td> <td>50%</td> <td>50%</td> </tr> <tr> <td>Max</td> <td>50%</td> <td>50%</td> </tr> <tr> <td>Normal</td> <td>Control signal to Y</td> <td>Control signal to U</td> </tr> </tbody> </table>		Feedback Signal (-)	Feedback Signal (+)	Min	50%	50%	Mid	50%	50%	Max	50%	50%	Normal	Control signal to Y	Control signal to U	<p>Notes:</p> <ul style="list-style-type: none"> Meets cULus requirements without the need of an electrical ground connection Actuators with appliance cables are numbered. Actuators may be connected in parallel. Power consumption and input impedance must be observed. Actuators may also be powered by 24 VDC. Only connect common to neg. (-) leg of control circuits. A 500 Ω resistor converts the 4 to 20 mA control signal to 2 to 10 VDC. Control signal may be pulsed from either the Hot (Source) or Common (Sink) 24 VAC line. Contact closures A & B also can be triacs. A & B should both be closed for the triac source and open for triac sink. For triac sink the Common connection from the actuator must be connected to the Hot connection of the controller. Position feedback cannot be used with a triac sink controller. The actuator internal common reference is not compatible. IN4004 or IN4007 diode. (IN4007 supplied, Belimo Part number 40155) Actuators with plenum rated cable do not have numbers on wires; use color codes instead.
	Feedback Signal (-)	Feedback Signal (+)															
Min	50%	50%															
Mid	50%	50%															
Max	50%	50%															
Normal	Control signal to Y	Control signal to U															
<p>VDC / 4 to 20 mA</p> <p>24 VAC Transformer</p> <p>Line Volts</p> <p>Blk (1) Common</p> <p>Red (2) + Hot</p> <p>Wht (3) Y, Input, 2 to 10 V</p> <p>Org (5) U Output, 2 to 10 V</p>	<p>Override Control Min, Mid, Max Positions</p> <p>24 VAC Transformer (AC Only)</p> <p>Line Volts</p> <p>Blk (1) Common + Hot</p> <p>Red (2) + Hot</p> <p>Wht (3) Y, Input, 2 to 10 V</p> <p>Org (5) U Output</p> <table border="1"> <thead> <tr> <th></th> <th>Feedback Signal (-)</th> <th>Feedback Signal (+)</th> </tr> </thead> <tbody> <tr> <td>Min</td> <td>50%</td> <td>50%</td> </tr> <tr> <td>Mid</td> <td>50%</td> <td>50%</td> </tr> <tr> <td>Max</td> <td>50%</td> <td>50%</td> </tr> <tr> <td>Normal</td> <td>Control signal to Y</td> <td>Control signal to U</td> </tr> </tbody> </table>		Feedback Signal (-)	Feedback Signal (+)	Min	50%	50%	Mid	50%	50%	Max	50%	50%	Normal	Control signal to Y	Control signal to U	<p>Notes:</p> <ul style="list-style-type: none"> Meets cULus requirements without the need of an electrical ground connection Actuators with appliance cables are numbered. Actuators may be connected in parallel. Power consumption and input impedance must be observed. Actuators may also be powered by 24 VDC. Only connect common to neg. (-) leg of control circuits. A 500 Ω resistor converts the 4 to 20 mA control signal to 2 to 10 VDC. Control signal may be pulsed from either the Hot (Source) or Common (Sink) 24 VAC line. Contact closures A & B also can be triacs. A & B should both be closed for the triac source and open for triac sink. For triac sink the Common connection from the actuator must be connected to the Hot connection of the controller. Position feedback cannot be used with a triac sink controller. The actuator internal common reference is not compatible. IN4004 or IN4007 diode. (IN4007 supplied, Belimo Part number 40155) Actuators with plenum rated cable do not have numbers on wires; use color codes instead.
	Feedback Signal (-)	Feedback Signal (+)															
Min	50%	50%															
Mid	50%	50%															
Max	50%	50%															
Normal	Control signal to Y	Control signal to U															

- BRN Brown
- BLU Blue
- ORG Orange
- PWK Pink
- WHT White
- RED Red
- BLK Black
- MARR Maroon
- BLU Azil
- ORG Anaranjado
- PWK Rosado
- WHT Branco
- RED Rojo
- BLK Negro
- MARR Marron
- BLU Bleu
- ORG Alaranjado
- PWK Cor-de-ros
- WHT Branco
- RED Vermelho
- BLK Preto



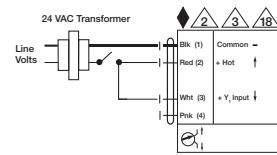
QUICK MOUNT VISUAL INSTRUCTION MANUAL

SGVL/G2/G3 Linkage with LVK and SVK Series Actuators

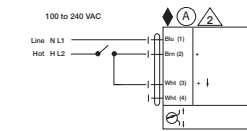


WIRING DIAGRAMS

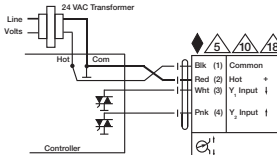
Electronic Fail-Safe Actuator with -3



On/Off

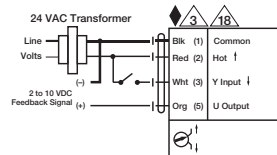


On/Off

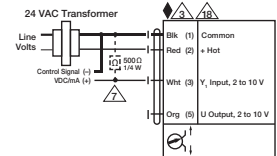


Triac Sink

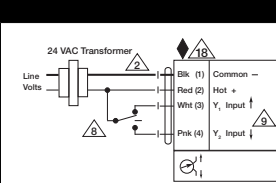
Electronic Fail-Safe Actuator with MFT



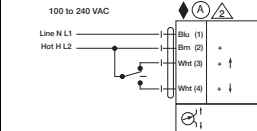
On/Off



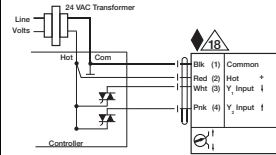
VDC / 4 to 20 mA



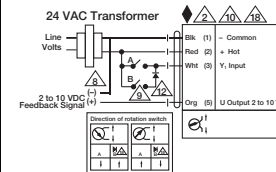
Floating Point



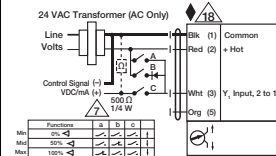
Floating Point



Triac Source



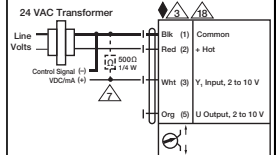
Floating Point



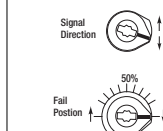
Override Control Min, Mid, Max Positions

Min	Function	S	B	S	S
Min	50% -	✓	✓	✓	✓
Mid	50%	✓	✓	✓	✓
Max	50% +	✓	✓	✓	✓
Normal	Logic -	✓	✓	✓	✓
Normal	Control mode etc. 3, V	✓	✓	✓	✓

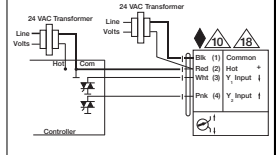
Electronic Fail-Safe Actuator with -SR



VDC / 4 to 20 mA



Selector Switches



Triac Sink with Separate Transformer

Notes:

- ◆ Meets cULus requirements without the need of an electrical ground connection
- Ⓐ Actuators with appliance cables are numbered.
- ⚠ Actuators may be connected in parallel. Power consumption and input impedance must be observed.
- ⚠ Actuators may also be powered by 24 VDC.
- ⚠ Only connect common to neg. (-) leg of control circuits.
- ⚠ A 500 Ω resistor converts the 4 to 20 mA control signal to 2 to 10 VDC.
- ⚠ Control signal may be pulsed from either the Hot (Source) or Common (Sink) 24 VAC line.
- ⚠ Contact closures A & B also can be triacs. A & B should both be closed for the triac source and open for triac sink.
- ⚠ For triac sink the Common connection from the actuator must be connected to the Hot connection of the controller. Position feedback cannot be used with a triac sink controller. The actuator internal common reference is not compatible.
- ⚠ IN4004 or IN4007 diode. (IN4007 supplied, Belimo Part number 40155)
- ⚠ Actuators with plenum rated cable do not have numbers on wires; use color codes instead.

- BRN Brown
- Maרון Maroon
- Bium Blum
- Marron Marron
- BLU Blue
- Azul Azul
- Bleu Bleu
- Azul Azul
- ORG Orange
- Anaranjado Anaranjado
- Orange Orange
- Alaranjado Alaranjado
- PNK Pink
- Rossado Rossado
- Rossa Rossa
- Cor-de ros Cor-de ros
- WHT White
- Bianco Bianco
- Blanc Blanc
- Bianco Bianco
- RED Red
- Rogo Rogo
- Rouge Rouge
- Vermelho Vermelho
- BLK Black
- Negro Negro
- Nor Nor
- Preto Preto