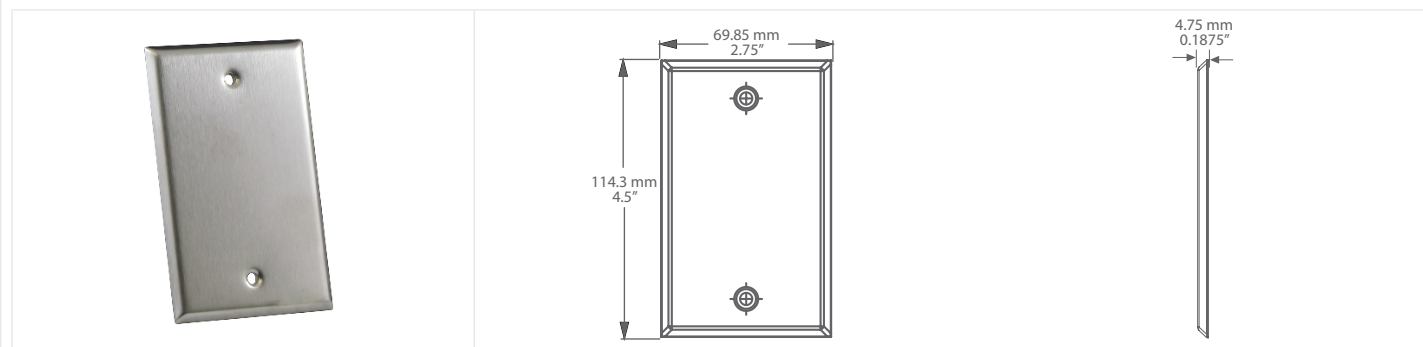


## STAINLESS STEEL SURFACE TEMPERATURE SENSOR



### EXT-RT-SS SERIES

### PRODUCT DESCRIPTION

The EXT-RT-SS series is a single gang, blank stainless steel wall plate that incorporates a precision temperature sensor used to monitor room temperatures where additional security is required.

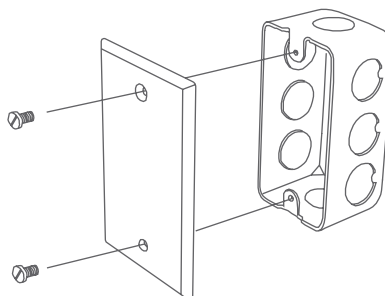
### SPECIFICATIONS

SENSOR TYPE	PT1000, NTC10k2, NTC10k3 or NTC20k
SENSOR ACCURACY	<b>PT:</b> $\pm 0.3^{\circ}\text{C}$ ( $\pm 0.54^{\circ}\text{F}$ ) @ $0^{\circ}\text{C}$ ( $32^{\circ}\text{F}$ ) <b>NTC:</b> $\pm 0.2^{\circ}\text{C}$ ( $\pm 0.36^{\circ}\text{F}$ ) @ $25^{\circ}\text{C}$ ( $77^{\circ}\text{F}$ )
AMBIENT OPERATING RANGE	-20 to $60^{\circ}\text{C}$ (-4 to $140^{\circ}\text{F}$ )
ENCLOSURE	Stainless Steel - IP50 (NEMA 1)
DIMENSIONS	114.3mm L x 69.85mm W x 4.75mm D (4.5" x 2.75" x 0.1875")
TERMINATION	2 wire
QUALITY STANDARD	ISO9001
COUNTRY OF ORIGIN	Canada

### TYPICAL INSTALLATION

For complete installation and wiring details, please refer to the product installation instructions.

The EXT-RT-SS series can be flush mounted directly to a single gang electrical box or directly to a wall. Insulating foam is adhered to the back of the wall plate to provide a thermal barrier from internal wall temperatures.



### ORDERING

PRODUCT	EXT-RT-SS	Stainless Steel Room Temperature Sensor
SENSOR	<b>1000</b>	1000 $\Omega$ Platinum, IEC 751, 385 Alpha, thin film
	<b>10K2</b>	10,000 $\Omega$ Type 2, NTC Thermistor, $\pm 0.2^{\circ}\text{C}$
	<b>10K3</b>	10,000 $\Omega$ Type 3, NTC Thermistor, $\pm 0.2^{\circ}\text{C}$
	<b>20K</b>	20,000 $\Omega$ NTC Thermistor, $\pm 0.2^{\circ}\text{C}$

### PART NUMBER

**EXT-RT-SS1000**  
**EXT-RT-SS10K2**  
**EXT-RT-SS10K3**  
**EXT-RT-SS20K**