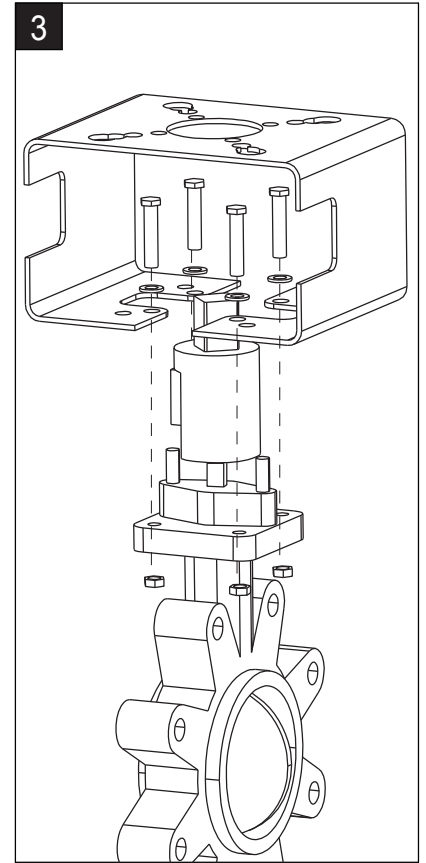
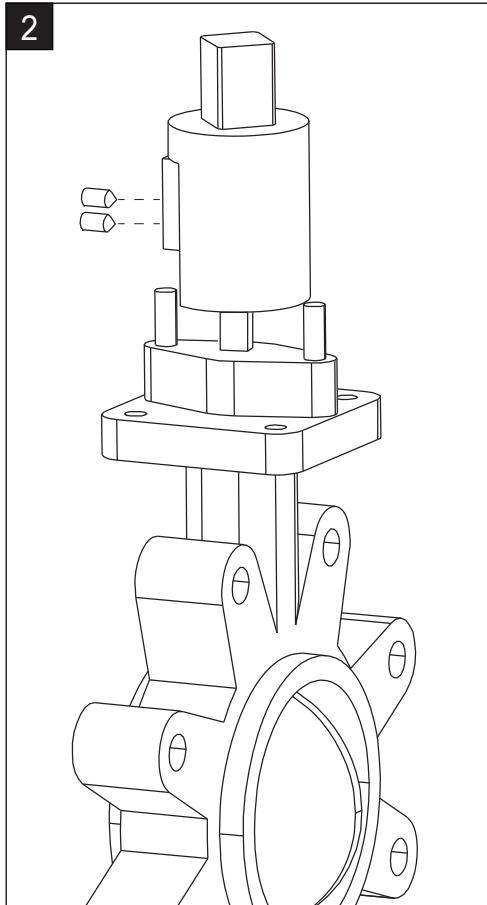
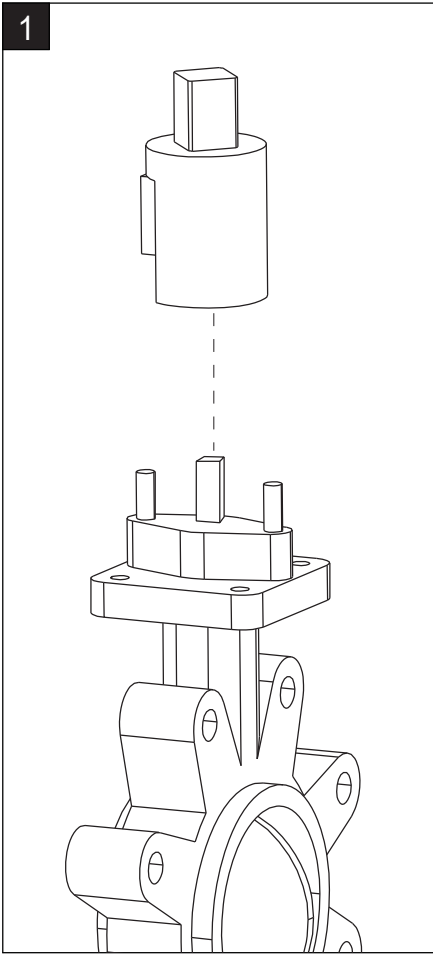


71628-00001

SY2-SY8 Actuators with F6 SHP Butterfly Valves



4

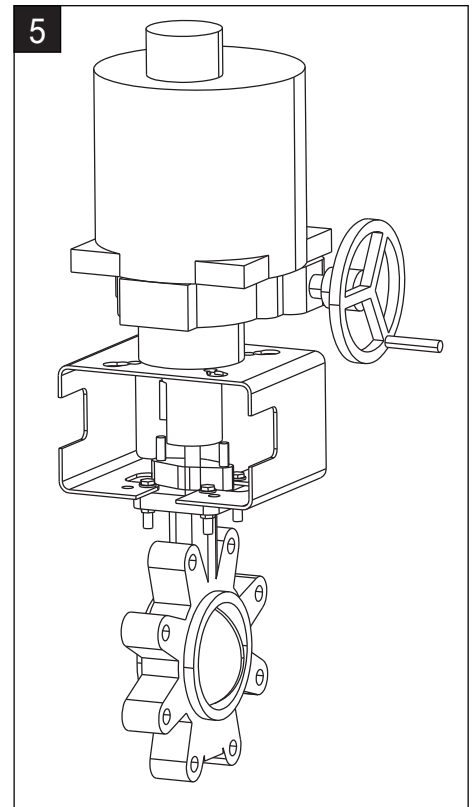
Screw Type A2-70

Thread	Torque [Nm]
M8	21.4
M10	44
M16	183

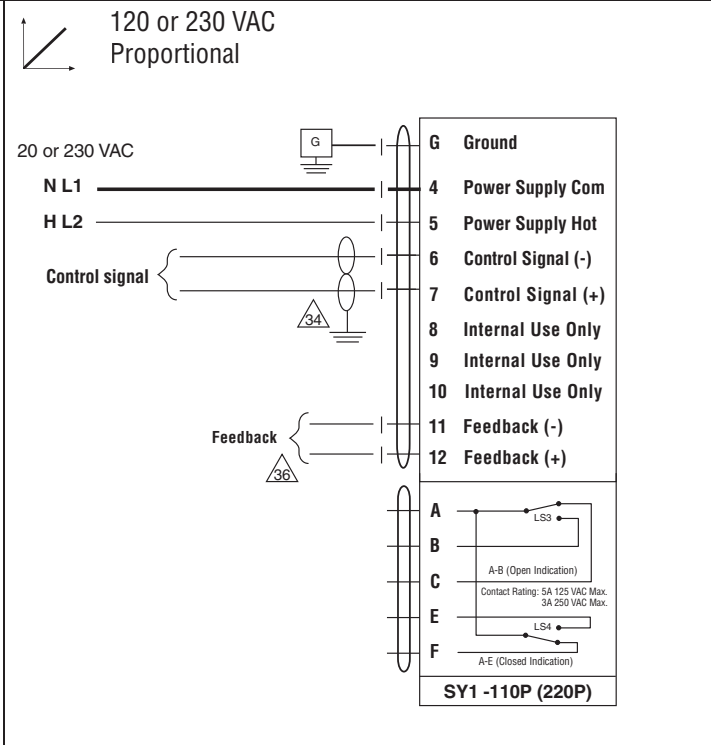
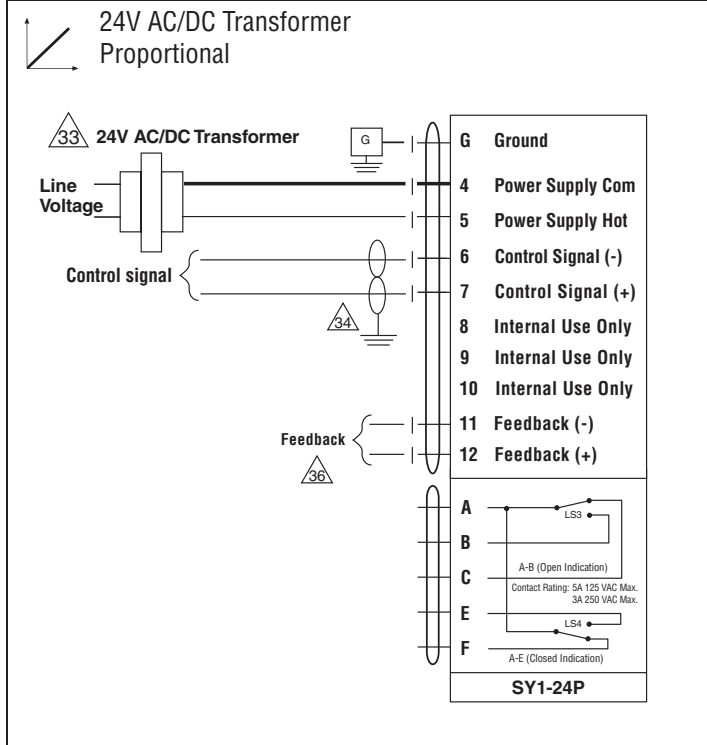
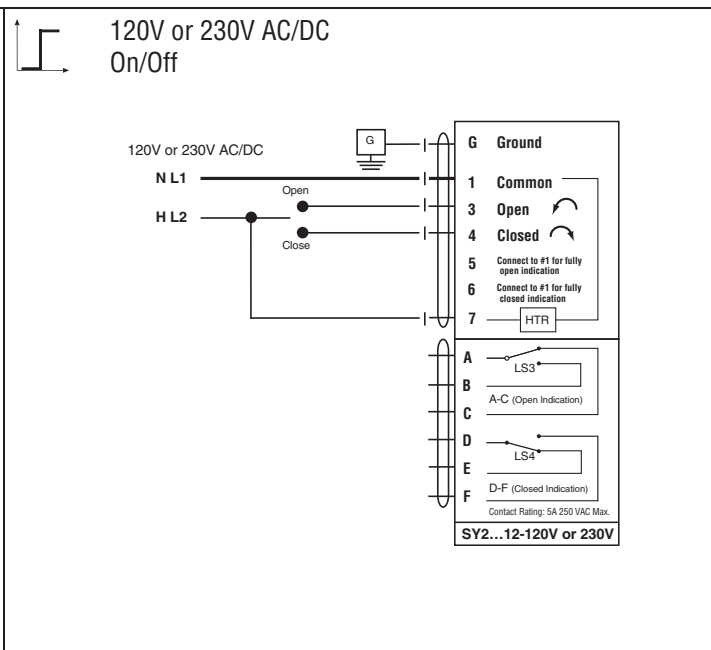
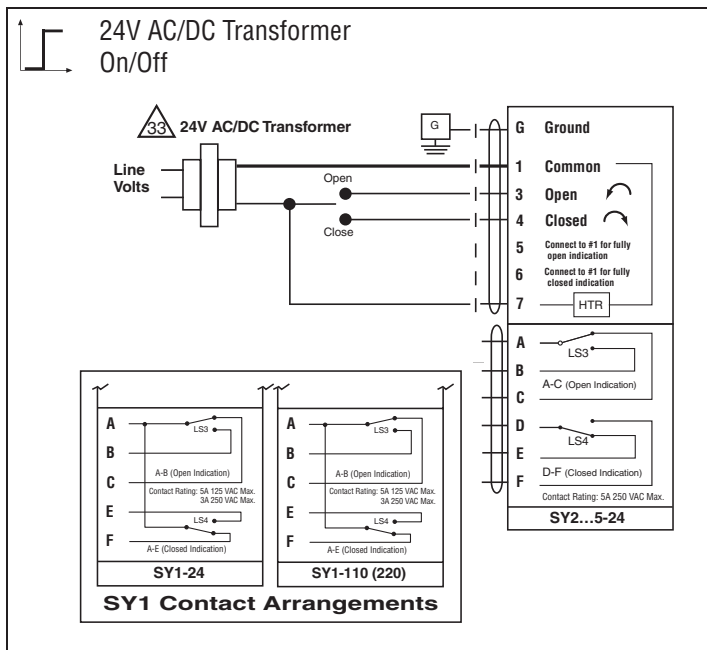
Tightening Torque

Screw types used for linkage kits:
Screw Type 8.8

Actuator	Thread	Torque [Nm]
SY2...3	M8	23
SY4...6	M10	46
SY7..8	M16	195



WIRING DIAGRAMS



NOTES: SY1...5-24 & SY1...24P

Each actuator should be powered by a single, isolated control transformer.

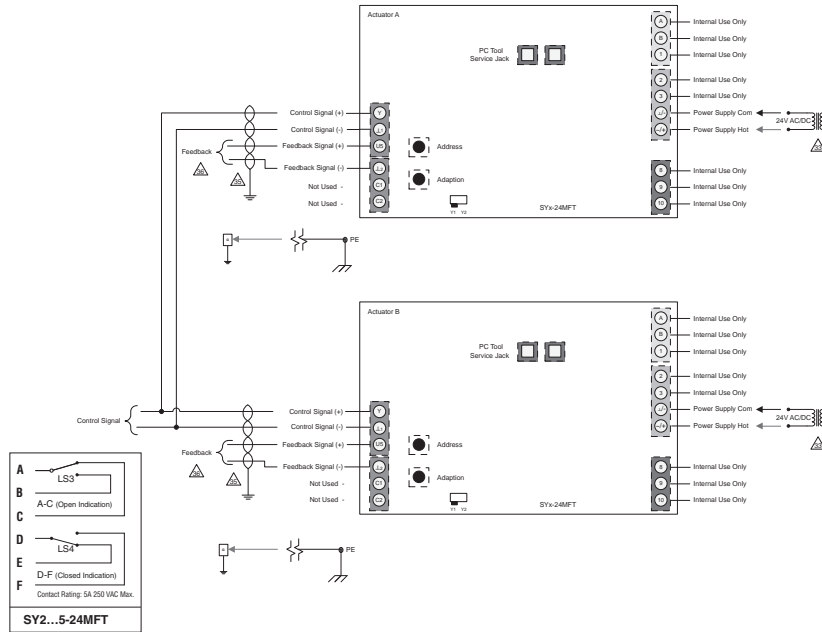
INSTALLATION NOTES

Observe class 1 and class 2 wiring restrictions.

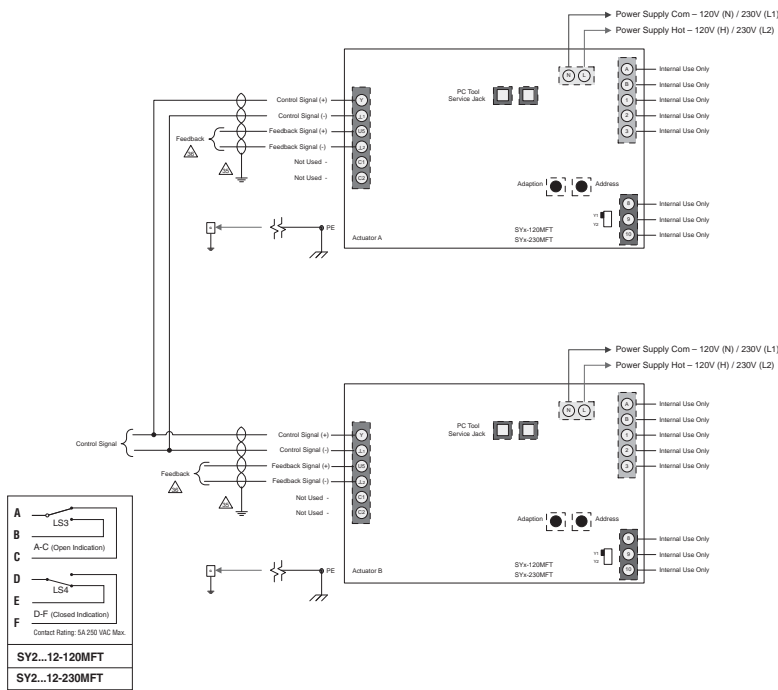
Transformer sizing = SY actuator draw X 1.25 (safety margin)
 (Ex. SY2-24 requires 3.0A x 1.25 = 3.75A,
 3.75A X 24 VAC = 90VA Transformer).

WIRING DIAGRAMS

Proportional, Multiple Wiring, 24V
SY2...5-24MFT



Proportional, Multiple Wiring, 120/230V
SY2...12-120MFT, SY2-12-230MFT



NOTES: SY2...5-24MFT



Each actuator should be powered by a single, isolated control transformer.



INSTALLATION NOTES

Observe class 1 and class 2 wiring restrictions.

Transformer sizing = SY actuator draw X 1.25 (safety margin)
(Ex. SY2-24 requires 3.0A x 1.25 = 3.75A,
3.75A X 24 VAC = 90VA Transformer).