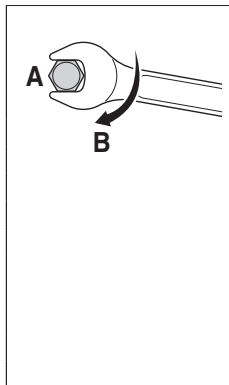
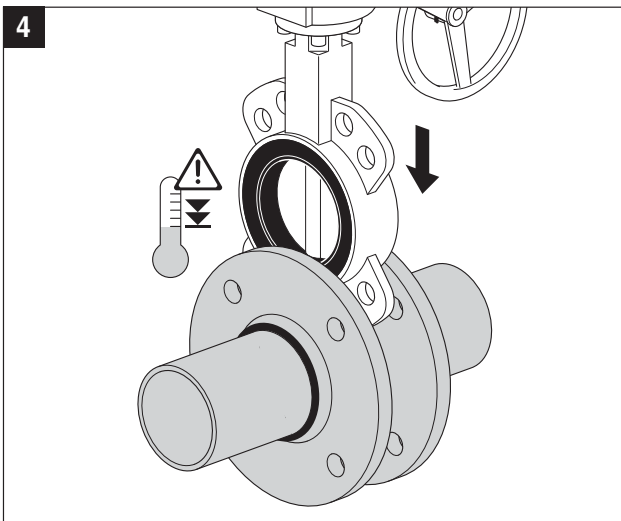
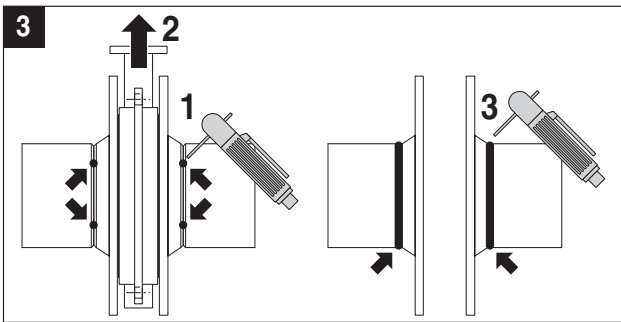
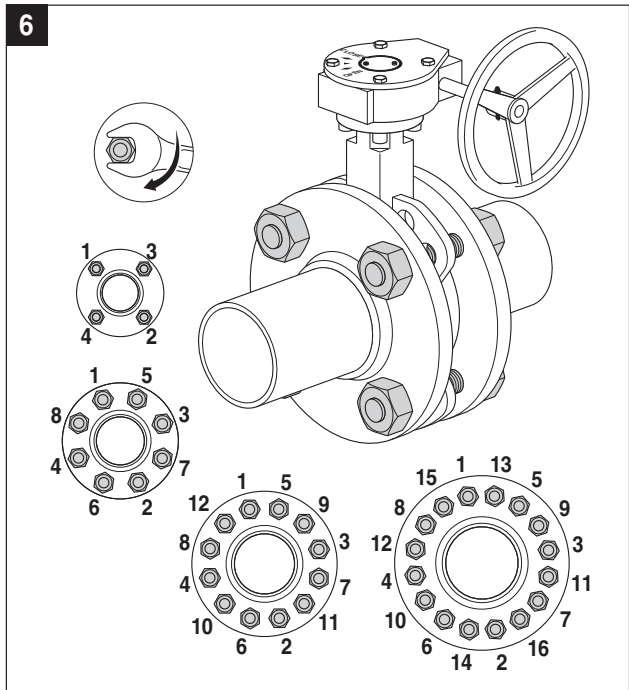
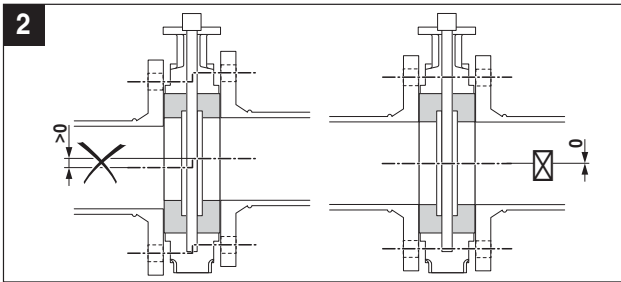
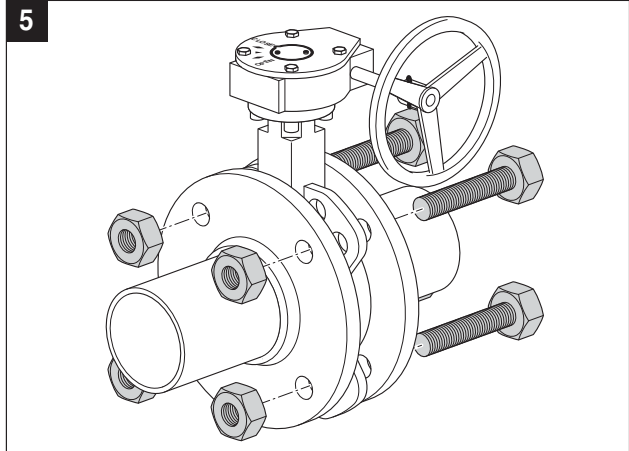
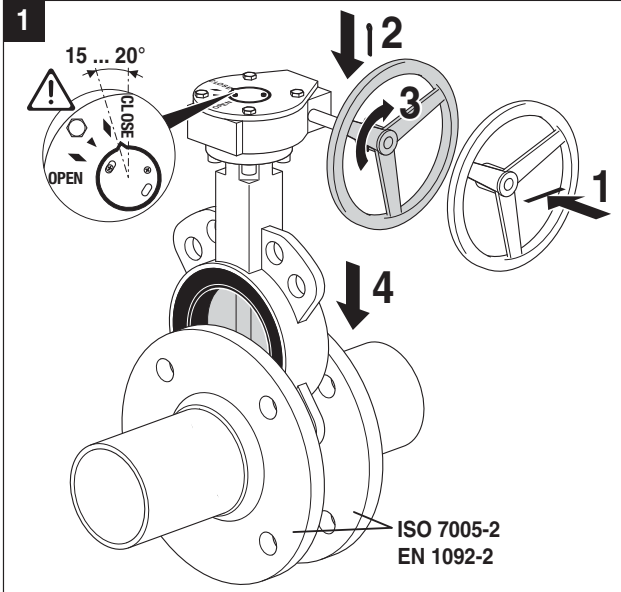


GW01-GW29 Gear Operator with Butterfly Valves



IN	DN [mm]	A	B (in-lbs)	HD/U	150 SHP	300 SHP
2	25	5/8"	≤ 840	GW01	GW10	GW10
2½	32	5/8"	≤840	GW01	GW10	GW10
3	40	5/8"	≤840	GW01	GW11	GW11
4	50	5/8"	≤840	GW02	GW11	GW11
5	65	3/4"	≤1440	GW02	GW12	GW12
6	80	3/4"	≤1440	GW02	GW12	GW13
8	100	3/4"	≤1440	GW03	GW13	GW14
10	125	7/8"	≤2400	GW04	GW15	GW16
12	150	7/8"	≤2400	GW04	GW17	GW18
14	200	1"	≤2880	GW04	GW19	GW20
16	250	1"	≤2880	GW05	GW21	GW22
18	300	1-1/8"	≤4560	GW06	GW23	GW24
20	350	1-1/8"	≤4560	GW07	GW25	GW26
24	610	1-1/4"	6240	GW08	GW27	GW28
30	762	1-1/4"	6240	GW09	GW29	N/A

GW01-GW29 Gear Operator with Butterfly Valves

