

# FS120-EMERGENCY FUEL SHUT-OFF

Pilla Electrical Products, Inc.



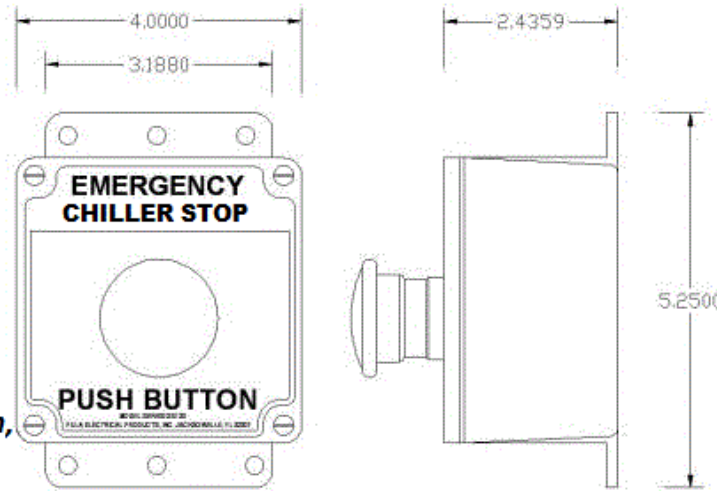
**DESCRIPTION:**

Maintained, push-pull mushroom operator, 40mm dia. red, with engraved white lettering: "PULL TO RESET"

Bold luminous legends. External mounting feet top & bottom.

NEMA 4, 4X, 12.

Contact block capacity: for standard depth 1-3 per station, for XD version 6 per station.



FS120IL



FS120CLM



FS120RP



PILLNCCB



PILLNCCB

<b>RATED OPERATIONAL CHARACTERISTICS CONFORMING TO EC/EN 60947-5-1</b>	<b>AC SUPPLY:</b> UTILIZATION CATEGORY AC-15	<b>STANDARD BLOCKS (SINGLE OR DOUBLE) WITH SCREW CLAMP TERMINALS:</b> A600: Ue=600Vac AND Ie=1.2 A OR Ue=240 Vac AND Ie= 3 A OR Ue = 120 Vac AND Ie = 6 A CONTINUOUS THERMAL CURRENT 10 A
	<b>DC SUPPLY:</b> UTILIZATION CATEGORY DC-13	<b>STANDARD SINGLE OR DOUBLE BLOCKS WITH SCREW CLAMP TERMINALS:</b> Q600: Ue= 600VdC AND Ie = 0.1 A
		24 Vdc
		0.5 A