

ST120SL-EMERGENCY CHILLER STOP

Pilla Electrical Products, Inc.



DESCRIPTION:

Maintained, push-pull mushroom operator, 40mm dia. red, with engraved white lettering:

"PULL TO RESET"

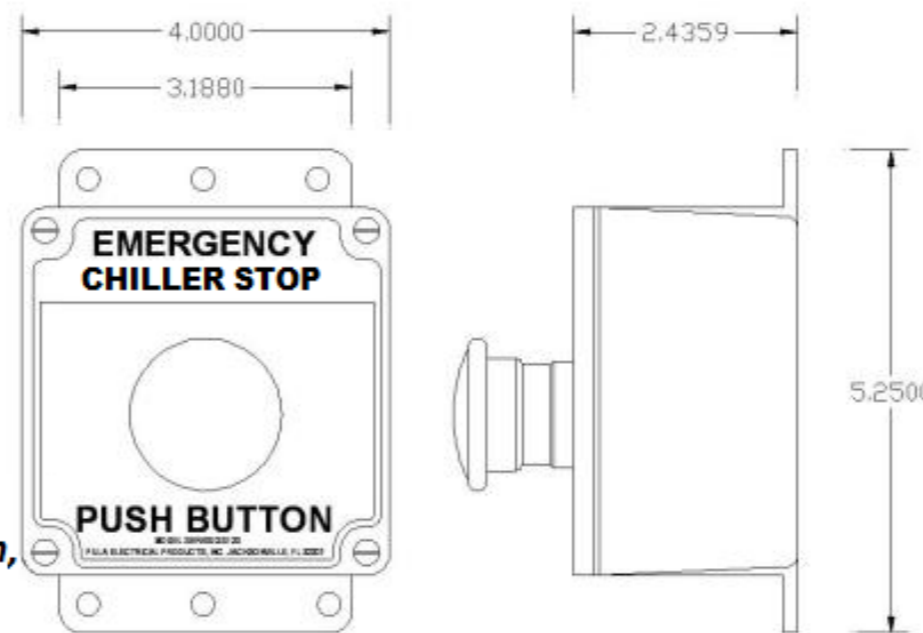
Bold luminous legends.

External mounting feet top & bottom.

NEMA 4, 4X, 12.

Contact block capacity:

for standard depth 1-3 per station,
for XD version 6 per station.



ST120SLIL-CHILLER STOP



ST120SLCLM-CHILLER STOP



ST120SLRP-CHILLER STOP



RATED OPERATIONAL CHARACTERISTICS CONFORMING TO EC/EN 60947-5-1	AC SUPPLY: UTILIZATION CATEGORY AC-15	STANDARD BLOCKS (SINGLE OR DOUBLE) WITH SCREW CLAMP TERMINALS: A600: Ue=600Vac AND Ie=1.2 A OR Ue=240 Vac AND Ie= 3 A OR Ue = 120 Vac AND Ie = 6 A CONTINUOUS THERMAL CURRENT 10 A	
	DC SUPPLY: UTILIZATION CATEGORY DC-13	STANDARD SINGLE OR DOUBLE BLOCKS WITH SCREW CLAMP TERMINALS: Q600: Ue= 600Vdc AND Ie = 0.1 A	
		24 Vdc	0.5 A